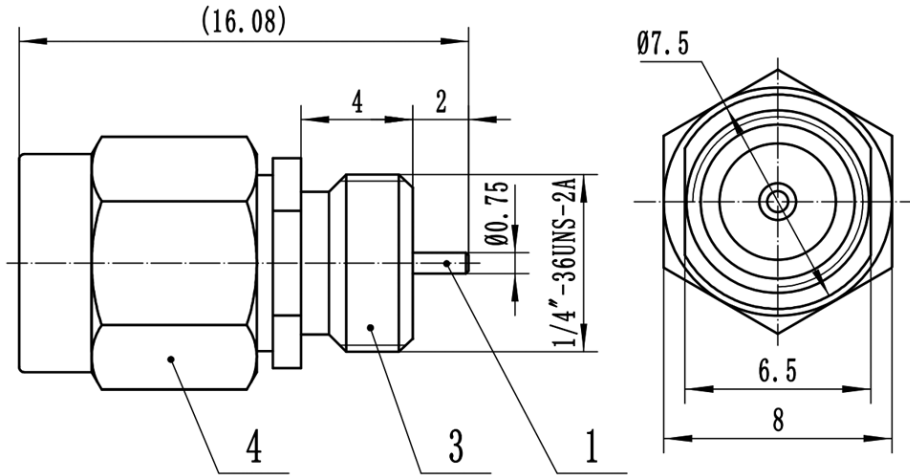




SMA Male Bulkhead Flange Connector, RC18SM-MYD075 DC-18GHz, Straight, Bulkhead, 0.75mm Pin

Dimensions(mm) Tolerance $\pm 1\%$



Electrical & Environmental

Frequency Range	DC-18GHz
Impedance	50 ohm
VSWR	1.25 max
Insulation Resistance	$\geq 1000 \text{ M}\Omega$
Withstand Voltage	750 V
Mating Cycles	> 500 Cycles
Temperature Range	-55°C~+165°C

Mechanical & Product Information

Product Number	RC18SM-MYD075
Product Type	SMA Male, Bulkhead Flange Connector
Shape/Mounting	Straight, Bulkhead
Attachment Method	Solder
Connector Body	Passivated stainless steel
Center Contact	Gold plated brass
Insulator	PTFE
Dimension	16.08(L)*8(ϕ)mm