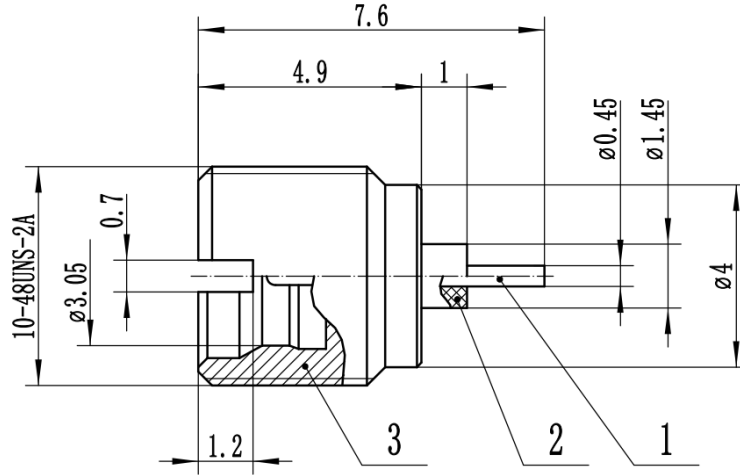


SMP(GPO) Male Bulkhead Flange Connector, RC18SM-MYD045-GBA DC-18GHz, Straight, Bulkhead, 0.45mm Pin

Dimensions(mm) Tolerance $\pm 1\%$



Electrical & Environmental

Frequency Range	DC-18GHz
Impedance	50 ohm
VSWR	1.3 max
Contact Resistance	\leq In:1.5/Out:0.2 m Ω
Insulation Resistance	\geq 5000 M Ω
Withstand Voltage	500 V
Mating Cycles	> 500 Cycles
Temperature Range	-55°C ~ +155°C

Mechanical & Product Information

Product Number	RC18SM-MYD045-GBA
Product Type	SMP(GPO) Male, Bulkhead Flange Connector
Shape/Mounting	Straight, Bulkhead
Attachment Method	Solder
Connector Body	Gold plated brass
Center Contact	Gold plated Tin bronze
Insulator	PTFE
Dimension	7.6(L)mm