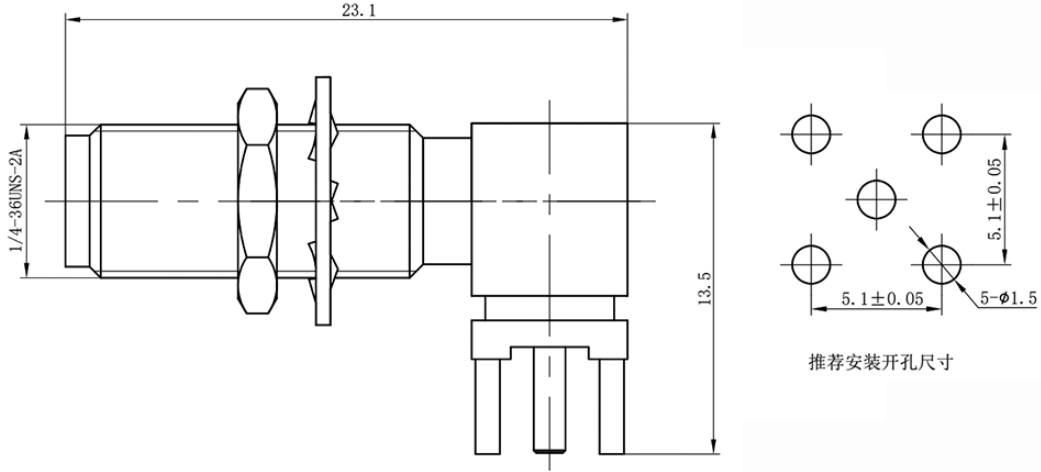


## SMA Female PCB Connector, RC18SFYW-STH5-GBA DC-6GHz, Right Angle, Bulkhead, 5.1mm Hole Spacing

### Dimensions(mm) Tolerance $\pm 1\%$



### Electrical & Environmental

Frequency Range	DC-6GHz
Impedance	50 ohm
VSWR	1.3 max
Contact Resistance	$\leq$ In:3.0/Out:2.0 m $\Omega$
Insulation Resistance	$\geq$ 5000 M $\Omega$
Withstand Voltage	1000 V
Mating Cycles	> 500 Cycles
Temperature Range	-55 $^{\circ}$ C ~ +155 $^{\circ}$ C

### Mechanical & Product Information

Product Number	RC18SFYW-STH5-GBA
Product Type	SMA Female, PCB Connector
Shape/Mounting	Right Angle, Bulkhead
Attachment Method	Solder
Connector Body	Gold plated brass
Center Contact	Gold plated beryllium copper
Insulator	PTFE
Dimension	23.1(L)*13.5(W)mm