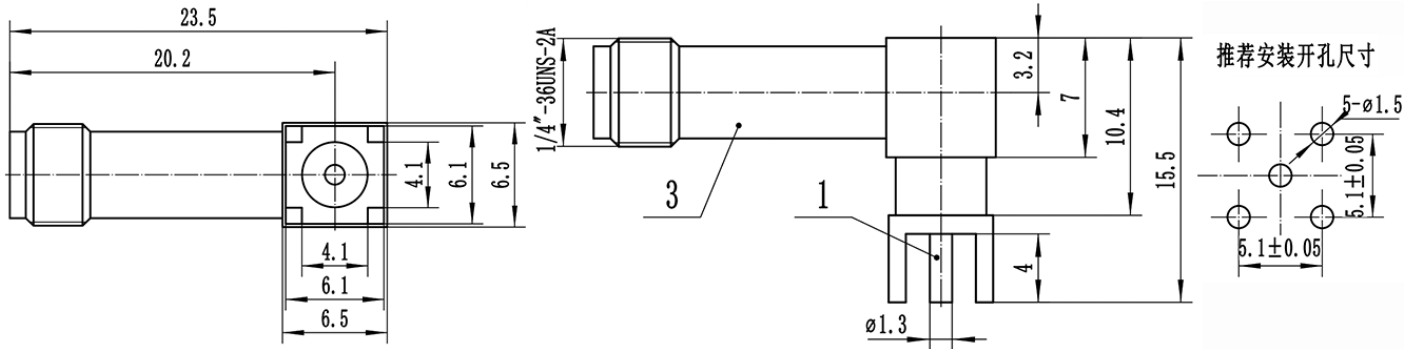




**SMA Female PCB Connector, RC18SFW-STH13-GBA**  
**DC-18GHz, Right Angle, 5.1mm Hole Spacing, 1.3mm Pin**

**Dimensions(mm) Tolerance±1%**



**Electrical & Environmental**

<b>Frequency Range</b>	DC-18GHz
<b>Impedance</b>	50 ohm
<b>Contact Resistance</b>	≤ In:3.0/Out:2.0 mΩ
<b>Insulation Resistance</b>	≥ 5000 MΩ
<b>Withstand Voltage</b>	1000 V
<b>Mating Cycles</b>	> 500 Cycles
<b>Temperature Range</b>	-55°C ~ +155°C

**Mechanical & Product Information**

<b>Product Number</b>	RC18SFW-STH13-GBA
<b>Product Type</b>	SMA Female, PCB Connector
<b>Shape/Mounting</b>	Right Angle
<b>Attachment Method</b>	Solder
<b>Connector Body</b>	Gold plated brass
<b>Center Contact</b>	Gold plated beryllium copper
<b>Insulator</b>	PTFE
<b>Dimension</b>	23.5(L)*15.5(W)mm