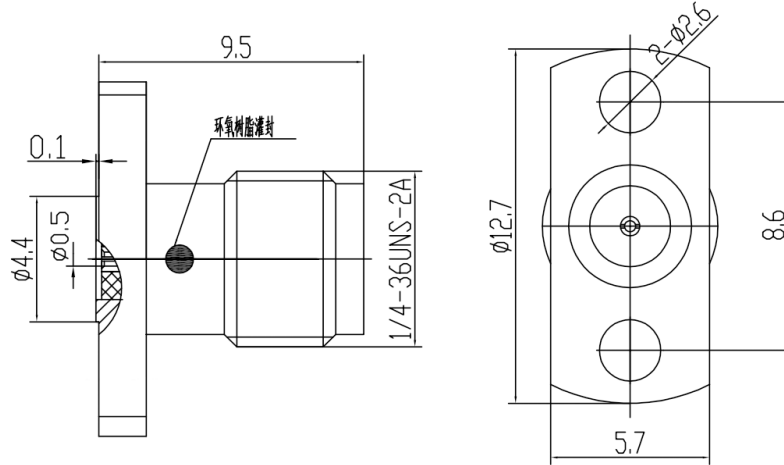


SMA Female Field Replaceable Connector, RC18SF-UF2D05-GBA DC-18GHz, Straight, 2 hole flange, 8.6mm Hole Spacing, 0.5mm Pin

Dimensions(mm) Tolerance $\pm 1\%$



Electrical & Environmental

Frequency Range	DC-18GHz
Impedance	50 ohm
VSWR	1.15 max
Contact Resistance	\leq In:3.0/Out:2.0 m Ω
Insulation Resistance	\geq 5000 M Ω
Withstand Voltage	1000 V
Mating Cycles	> 500 Cycles
Temperature Range	-45 $^{\circ}$ C~+85 $^{\circ}$ C

Mechanical & Product Information

Product Number	RC18SF-UF2D05-GBA, E-Grade
Product Type	SMA Female, Field Replaceable Connector
Shape/Mounting	Straight, 2 hole flange
Attachment Method	Field Replaceable
Connector Body	Gold plated brass
Center Contact	Gold plated beryllium copper
Insulator	PTFE
Dimension	9.5(L)mm