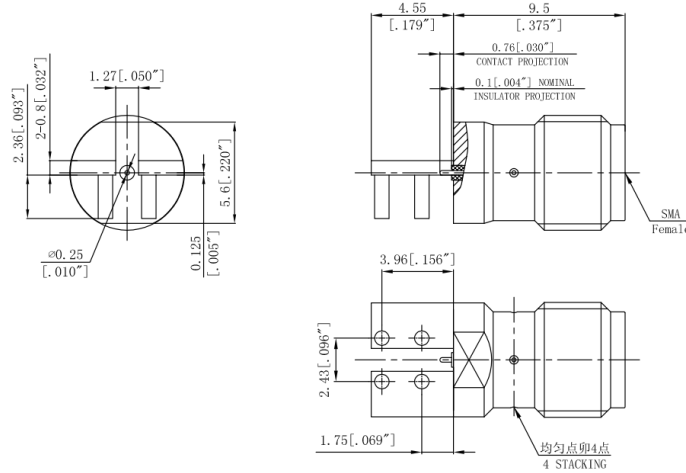




SMA Female PCB Connector, RC18SF-STH025-GBA
DC-18GHz, Straight, 2.43mm×2.21mm Hole Spacing, 0.25mm Pin

Dimensions(mm) Tolerance±1%



Electrical & Environmental

| | |
|------------------------------|----------------|
| Frequency Range | DC-18GHz |
| Impedance | 50 ohm |
| VSWR | 1.4 max |
| Insulation Resistance | ≥ 5000 MΩ |
| Withstand Voltage | 1000 V |
| Mating Cycles | > 500 Cycles |
| Temperature Range | -55°C ~ +165°C |

Mechanical & Product Information

| | |
|--------------------------|------------------------------|
| Product Number | RC18SF-STH025-GBA |
| Product Type | SMA Female, PCB Connector |
| Shape/Mounting | Straight |
| Attachment Method | Solder |
| Connector Body | Gold plated brass |
| Center Contact | Gold plated beryllium copper |
| Insulator | PTFE |
| Dimension | 14.05(L)mm |