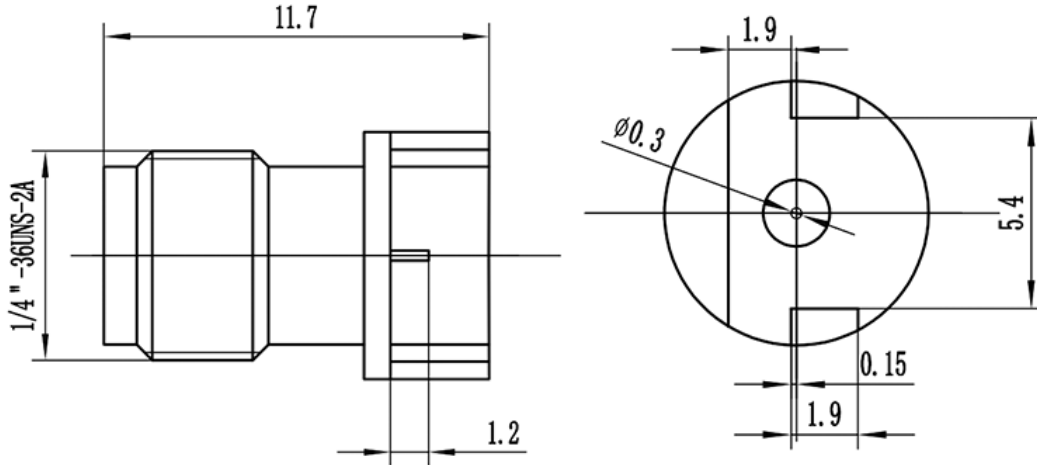




## SMA Female PCB Connector, RC18SF-SEL03-GBA-2 DC-18GHz, Straight, 0.3mm Pin

### Dimensions(mm) Tolerance $\pm 1\%$



### Electrical & Environmental

Frequency Range	DC-18GHz
Impedance	50 ohm
VSWR	1.25 max
Contact Resistance	$\leq$ In:3.0/Out:2.0 m $\Omega$
Insulation Resistance	$\geq$ 5000 M $\Omega$
Withstand Voltage	1000 V
Mating Cycles	> 500 Cycles
Temperature Range	-55°C ~ +155°C

### Mechanical & Product Information

Product Number	RC18SF-SEL03-GBA-2
Product Type	SMA Female, PCB Connector
Shape/Mounting	Straight
Attachment Method	Solder
Connector Body	Gold plated brass
Center Contact	Gold plated beryllium copper
Insulator	PTFE
Dimension	11.7(L)mm