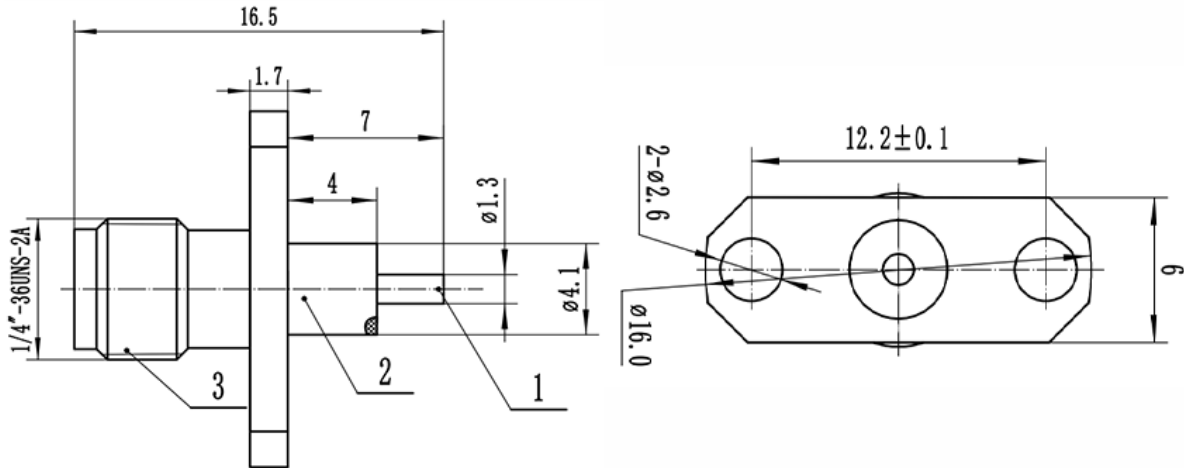




## SMA Female Bulkhead Thread-in Connector, RC18SF-PFD13-GBA-2 DC-18GHz, Straight, 2 hole flange, 12.2mm Hole Spacing, 1.3mm Pin

### Dimensions(mm) Tolerance $\pm 1\%$



### Electrical & Environmental

<b>Frequency Range</b>	DC-18GHz	<b>Impedance</b>	50 ohm
<b>VSWR</b>	1.25 max	<b>Withstand Voltage</b>	1000 V
<b>Insulation Resistance</b>	$\geq 5000 \text{ M}\Omega$	<b>Contact Resistance</b>	$\leq \text{In:}3.0/\text{Out:}2.0 \text{ m}\Omega$
<b>Mating Cycles</b>	> 500 Cycles	<b>Temperature Range</b>	-55°C~+125°C

### Mechanical & Product Information

<b>Product Number</b>	RC18SF-PFD13-GBA-2	<b>Connector</b>	SMA Female
<b>Shape/Mounting</b>	Straight , 2 hole flange	<b>Attachment Method</b>	Solder
<b>Connector Body</b>	Gold plated brass	<b>Insulator</b>	PTFE
<b>Center Contact</b>	Gold plated beryllium copper		
<b>Dimension</b>	16.5(L)mm	<b>Net Weight</b>	-