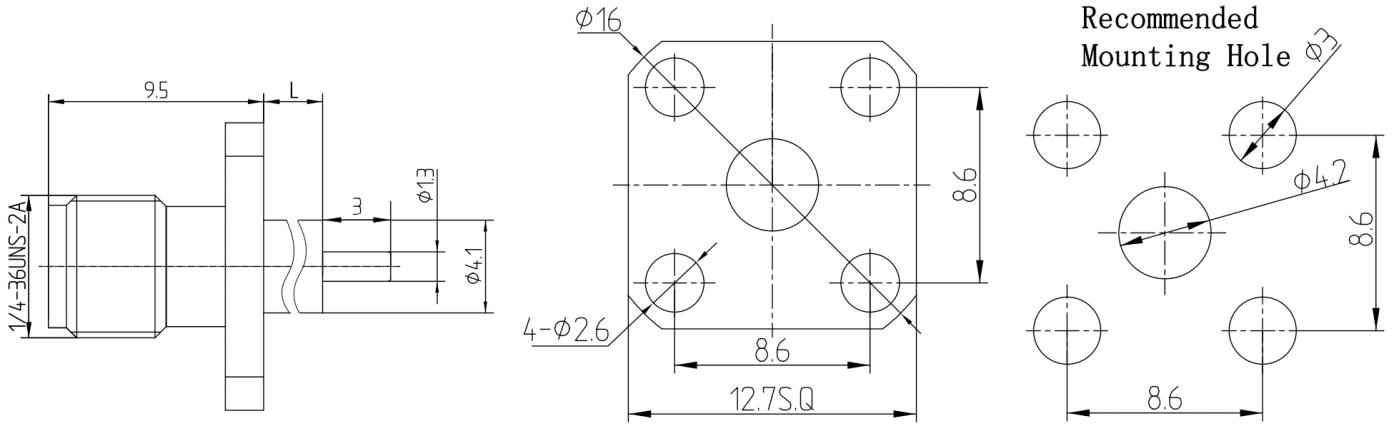


SMA Female Bulkhead Thread-in Connector, RC18SF-PF4D13-L DC-18GHz, Straight, 4 hole flange, 8.6mm Hole Spacing, 1.3mm Pin

Dimensions(mm) Tolerance $\pm 1\%$



Electrical & Environmental

| | |
|-----------------------|-----------------------------------|
| Frequency Range | DC-18GHz |
| Impedance | 50 ohm |
| Contact Resistance | \leq In:3.0/Out:2.0 m Ω |
| Insulation Resistance | \geq 5000 M Ω |
| Withstand Voltage | 1000 V |
| Mating Cycles | > 500 Cycles |
| Temperature Range | -45 $^{\circ}$ C~+85 $^{\circ}$ C |

Mechanical & Product Information

| | |
|-------------------|--|
| Product Number | RC18SF-PF4D13-L, E-Grade |
| Product Type | SMA Female, Bulkhead Thread-in Connector |
| Shape/Mounting | Straight, 4 hole flange |
| Attachment Method | Solder |
| Connector Body | Passivated stainless steel |
| Center Contact | Gold plated beryllium copper |
| Insulator | PTFE |