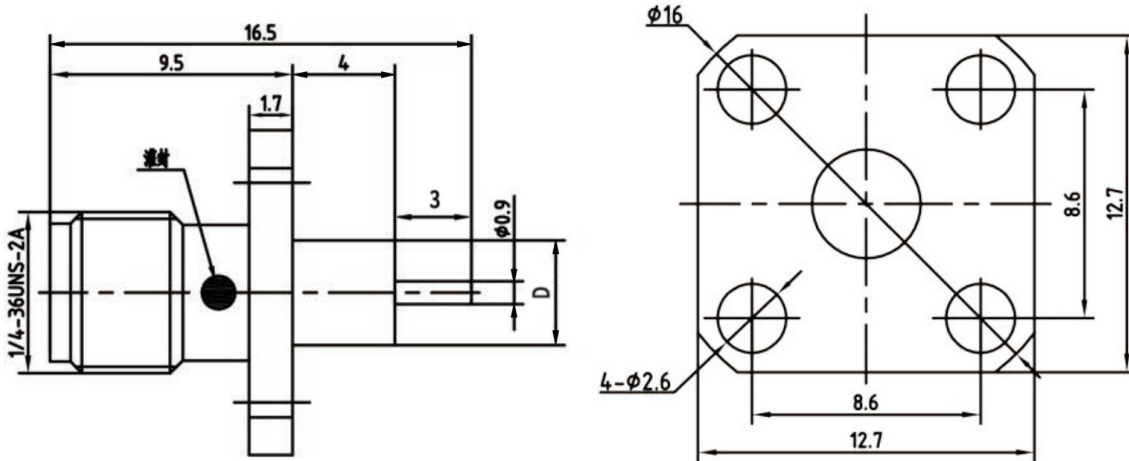


## SMA Female Bulkhead Thread-in Connector, RC18SF-PF4D09-GBA-D DC-18GHz, Straight, 4 hole flange, 8.6mm Hole Spacing, 0.9mm Pin

Dimensions(mm) Tolerance $\pm 1\%$



### Electrical & Environmental

Frequency Range	DC-18GHz
Impedance	50 ohm
Contact Resistance	$\leq$ In:3.0/Out:2.0 m $\Omega$
Insulation Resistance	$\geq$ 5000 M $\Omega$
Withstand Voltage	1000 V
Mating Cycles	> 500 Cycles
Temperature Range	-55 $^{\circ}$ C~+155 $^{\circ}$ C

Product Selection	
D(mm)	RFTOP P/N
4.1	RC18SF-PF4D09-GBA-401
6	RC18SF-PF4D09-GBA-6

### Mechanical & Product Information

Product Number	RC18SF-PF4D09-GBA-D, E-Grade
Product Type	SMA Female, Bulkhead Thread-in Connector
Shape/Mounting	Straight, 4 hole flange
Attachment Method	Solder
Connector Body	Gold plated brass
Center Contact	Gold plated beryllium copper
Insulator	PTFE