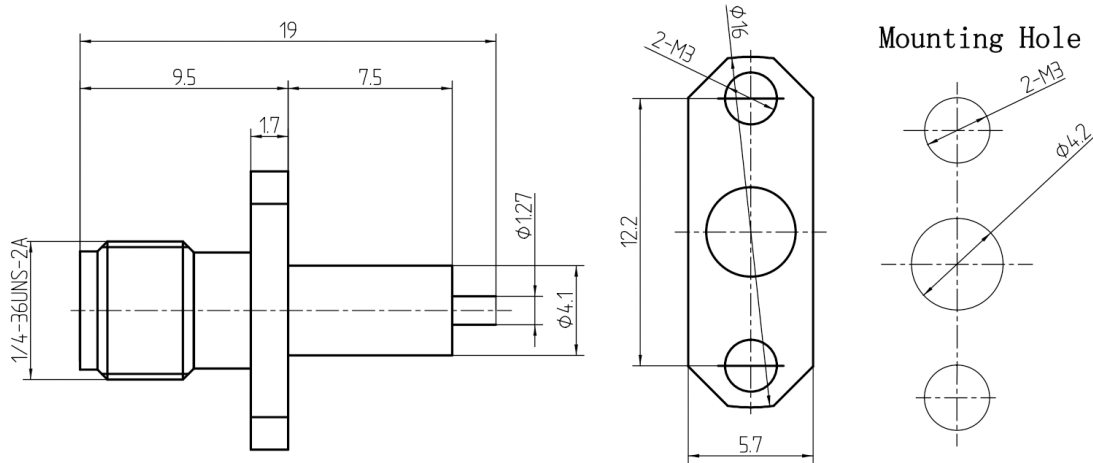


SMA Female Bulkhead Thread-in Connector, RC18SF-PF2D127-GBA DC-18GHz, Straight, 2 hole flange, 12.2mm Hole Spacing, 1.27mm Pin

Dimensions(mm) Tolerance $\pm 1\%$



Electrical & Environmental

Frequency Range	DC-18GHz
Impedance	50 ohm
Contact Resistance	\leq In:3.0/Out:2.0 m Ω
Insulation Resistance	\geq 5000 M Ω
Withstand Voltage	1000 V
Mating Cycles	> 500 Cycles
Temperature Range	-45 $^{\circ}$ C~+85 $^{\circ}$ C

Mechanical & Product Information

Product Number	RC18SF-PF2D127-GBA, E-Grade
Product Type	SMA Female, Bulkhead Thread-in Connector
Shape/Mounting	Straight, 2 hole flange
Attachment Method	Solder
Connector Body	Gold plated brass
Center Contact	Gold plated beryllium copper
Insulator	PTFE
Dimension	19(L)mm