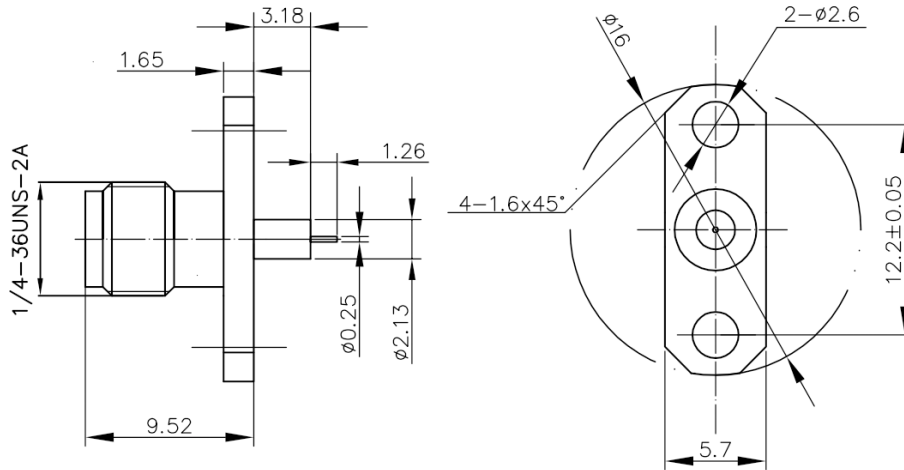


## SMA Female Bulkhead Thread-in Connector, RC18SF-PF2D025-GBA DC-18GHz, Straight, 2 hole flange, 12.2mm Hole Spacing, 0.25mm Pin

### Dimensions(mm) Tolerance $\pm 1\%$



### Electrical & Environmental

Frequency Range	DC-18GHz
Impedance	50 ohm
Contact Resistance	≤ In:3.0/Out:2.0 mΩ
Insulation Resistance	≥ 5000 MΩ
Withstand Voltage	1000 V
Mating Cycles	> 500 Cycles
Temperature Range	-55°C~+155°C

### Mechanical & Product Information

Product Number	RC18SF-PF2D025-GBA, E-Grade
Product Type	SMA Female, Bulkhead Thread-in Connector
Shape/Mounting	Straight, 2 hole flange
Attachment Method	Solder
Connector Body	Gold plated brass
Center Contact	Gold plated beryllium copper
Insulator	PTFE
Dimension	13.96(L)mm