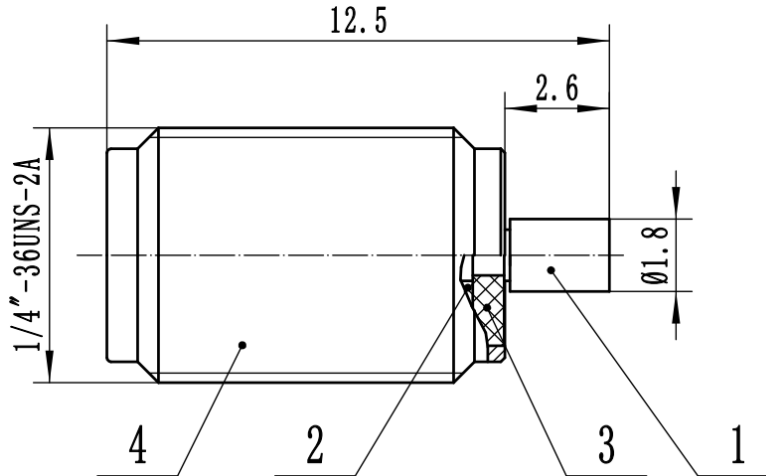




## SMA Female Bulkhead Flange Connector, RC18SF-MD18 DC-18GHz, Straight, 1.8mm Pin

Dimensions(mm) Tolerance $\pm 1\%$



### Electrical & Environmental

Frequency Range	DC-18GHz
Impedance	50 ohm
VSWR	1.2 max
Insulation Resistance	$\geq 5000 \text{ M}\Omega$
Withstand Voltage	1000 V
Mating Cycles	> 500 Cycles
Temperature Range	-55°C~+165°C

### Mechanical & Product Information

Product Number	RC18SF-MD18
Product Type	SMA Female, Bulkhead Flange Connector
Shape/Mounting	Straight
Attachment Method	Solder
Connector Body	Passivated stainless steel
Center Contact	Gold plated beryllium copper
Insulator	PEI
Dimension	12.5(L)mm