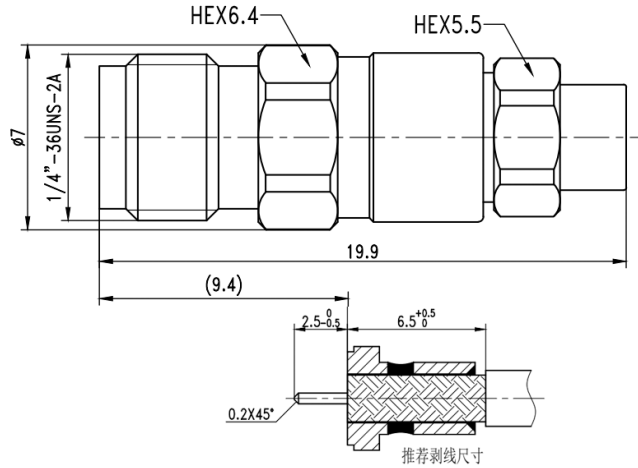


SMA Female Cable Connector, RC18SF-BA220 DC-18GHz, Straight, Attachment for CNA220 Cable

Dimensions(mm) Tolerance±1%



Electrical & Environmental

Frequency Range	DC-18GHz	Impedance	50 ohm
VSWR	1.3 Max	Withstand Voltage	750 V
Mating Cycles	> 500 Cycles	Temperature Range	-55°C ~ +165°C

Mechanical & Product Information

Product Number	RC18SF-BA220, P-Grade	Connector	SMA Female
Shape/Mounting	Straight	Attachment Method	Solder
Attachment for	CNA220 Series Cable		
Connector Body	Passivated stainless steel 316F	Insulator	PTFE
Center Contact	Gold plated beryllium copper		
Dimension	19.9(L)mm	Net Weight	-