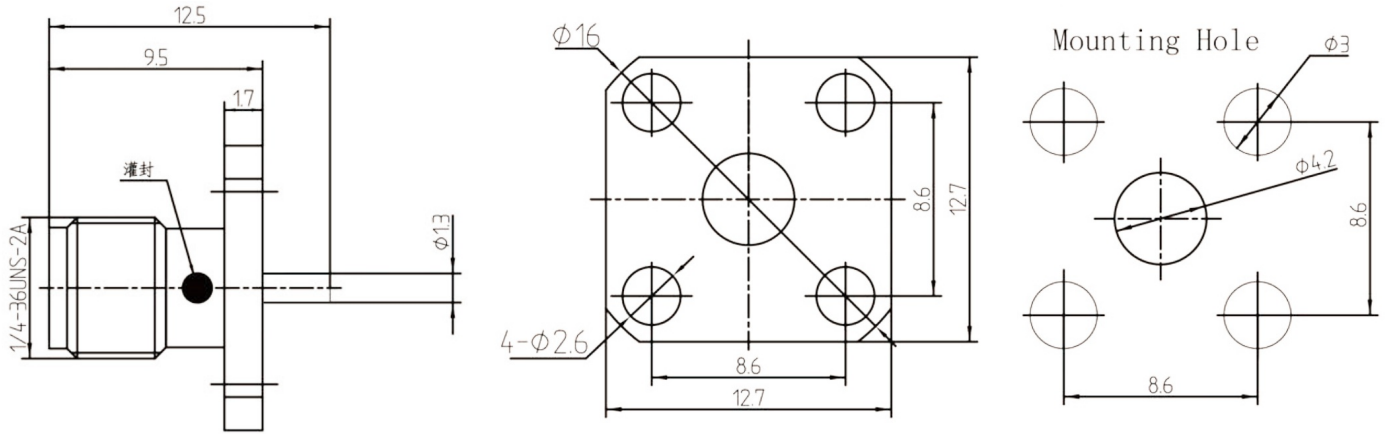


## SMA Female Airline Bulkhead Connector, RC18SF-AF4D13-GBA DC-18GHz, Straight, 4 hole flange, 8.6mm Hole Spacing, 1.3mm Pin

### Dimensions(mm) Tolerance $\pm 1\%$



### Electrical & Environmental

Frequency Range	DC-18GHz
Impedance	50 ohm
Contact Resistance	$\leq$ In:3.0/Out:2.0 m $\Omega$
Insulation Resistance	$\geq$ 5000 M $\Omega$
Withstand Voltage	1000 V
Mating Cycles	> 500 Cycles
Temperature Range	-45 $^{\circ}$ C~+85 $^{\circ}$ C

### Mechanical & Product Information

Product Number	RC18SF-AF4D13-GBA, E-Grade
Product Type	SMA Female, Airline Bulkhead Connector
Shape/Mounting	Straight, 4 hole flange
Attachment Method	Solder
Connector Body	Gold plated brass
Center Contact	Gold plated beryllium copper
Insulator	PTFE
Dimension	12.5(L)mm