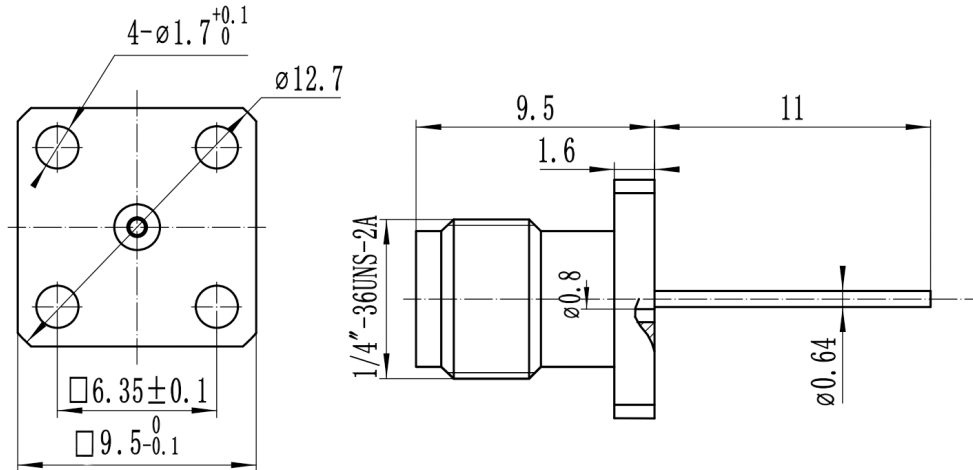


SMA Female Airline Bulkhead Connector, RC18SF-AF4D064-GBA DC-18GHz, Straight, 4 hole flange, 6.35mm Hole Spacing, 0.64mm Pin

Dimensions(mm) Tolerance $\pm 1\%$



Electrical & Environmental

Frequency Range	DC-18GHz
Impedance	50 ohm
VSWR	1.3 max
Contact Resistance	\leq In:3.0/Out:2.0 m Ω
Insulation Resistance	\geq 5000 M Ω
Withstand Voltage	1000 V
Mating Cycles	> 500 Cycles
Temperature Range	-55°C~+125°C

Mechanical & Product Information

Product Number	RC18SF-AF4D064-GBA, E-Grade
Product Type	SMA Female, Airline Bulkhead Connector
Shape/Mounting	Straight, 4 hole flange
Attachment Method	Solder
Connector Body	Gold plated brass
Center Contact	Gold plated beryllium copper
Insulator	PTFE
Dimension	20.5(L)mm