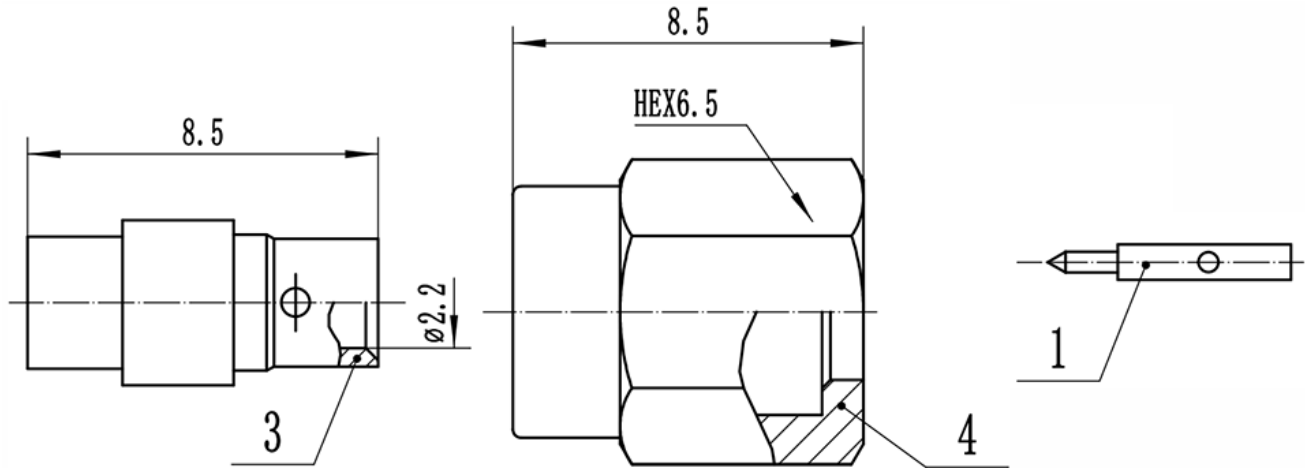




SSMA Male Cable Connector, RC18SAM-B502 DC-18GHz, Straight, Attachment for SFT-50-2Series Cable

Dimensions(mm) Tolerance $\pm 1\%$



Electrical & Environmental

| | |
|-----------------------|-----------------------------|
| Frequency Range | DC-18GHz |
| Impedance | 50 ohm |
| VSWR | 1.3 max |
| Insulation Resistance | $\geq 5000 \text{ M}\Omega$ |
| Withstand Voltage | 750 V |
| Mating Cycles | > 500 Cycles |
| Temperature Range | -55°C ~ +155°C |

Mechanical & Product Information

| | |
|-------------------|--|
| Product Number | RC18SAM-B502 |
| Product Type | SSMA Male, Cable Connector |
| Shape/Mounting | Straight |
| Attachment Method | Solder |
| Attachment for | SFT-50-2 Series Cable |
| Connector Body | Gold plated brass/Passivated stainless steel |
| Center Contact | Gold plated Tin bronze |
| Insulator | PTFE |
| Dimension | 8.5(L)mm |