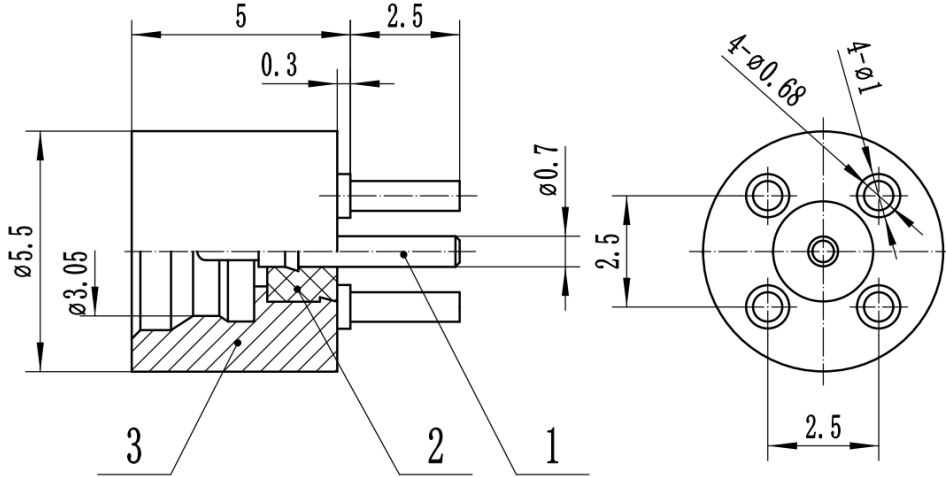




**SMP(GPO) Male PCB Connector, RC18PM-STH07-GBA**  
**DC-18GHz, Straight, 2.5mm Hole Spacing, 0.7mm Pin**

**Dimensions(mm) Tolerance±1%**



**Electrical & Environmental**

<b>Frequency Range</b>	DC-18GHz
<b>Impedance</b>	50 ohm
<b>VSWR</b>	1.25 max
<b>Insulation Resistance</b>	≥ 5000 MΩ
<b>Withstand Voltage</b>	500 V
<b>Mating Cycles</b>	> 500 Cycles
<b>Temperature Range</b>	-55°C ~ +155°C

**Mechanical & Product Information**

<b>Product Number</b>	RC18PM-STH07-GBA
<b>Product Type</b>	SMP(GPO) Male, PCB Connector
<b>Shape/Mounting</b>	Straight
<b>Attachment Method</b>	Solder
<b>Connector Body</b>	Gold plated brass
<b>Center Contact</b>	Gold plated Tin bronze
<b>Insulator</b>	PTFE
<b>Dimension</b>	7.5(L)*5.5(φ)mm