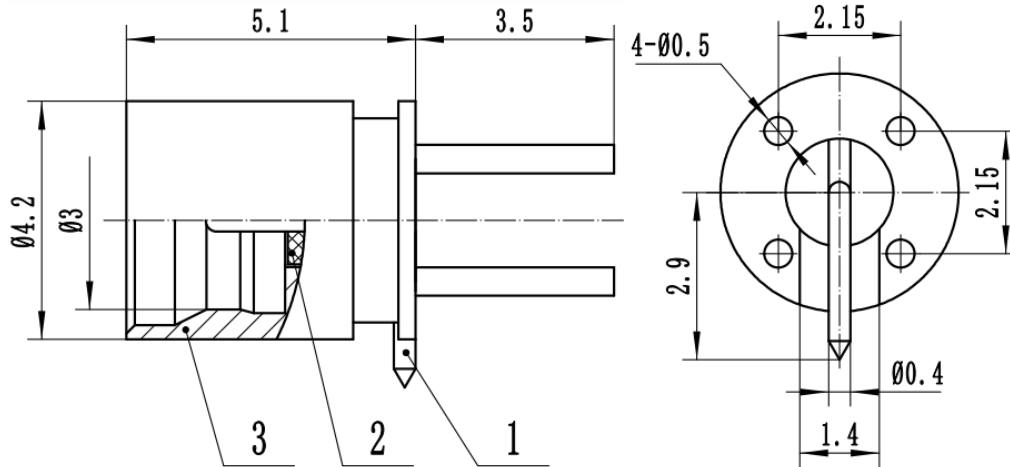




SMP(GPO) Male PCB Connector, RC18PM-STH04-GBA
DC-18GHz, Straight, 2.15mm Hole Spacing, 0.4mm Pin

Dimensions(mm) Tolerance±1%



Electrical & Environmental

Frequency Range	DC-18GHz
Impedance	50 ohm
VSWR	1.35 max
Insulation Resistance	≥ 5000 MΩ
Withstand Voltage	500 V
Mating Cycles	> 500 Cycles
Temperature Range	-55°C ~ +155°C

Mechanical & Product Information

Product Number	RC18PM-STH04-GBA
Product Type	SMP(GPO) Male, PCB Connector
Shape/Mounting	Straight
Attachment Method	Solder
Connector Body	Gold plated brass
Center Contact	Gold plated Tin bronze
Insulator	PAI
Dimension	8.6(L)*4.2(φ)mm