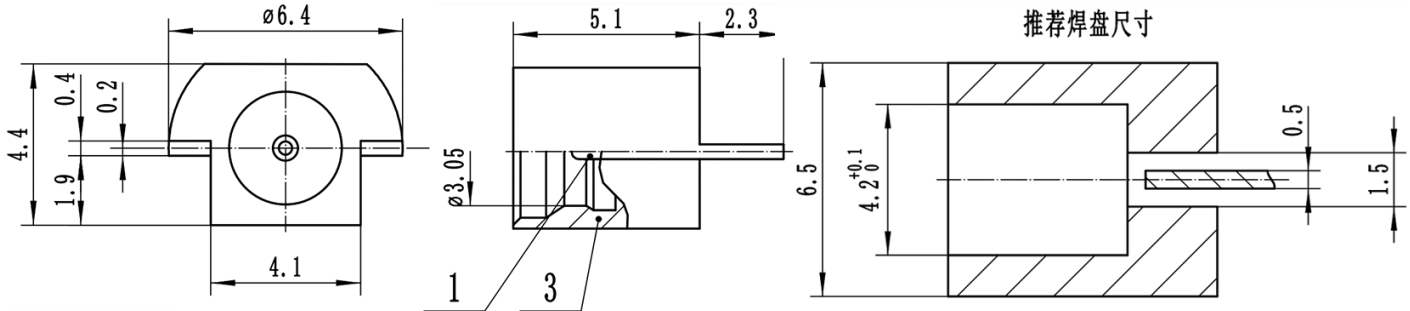




SMP(GPO) Male PCB Connector, RC18PM-SSM02-GBA DC-18GHz, Straight, 0.2mm Pin

Dimensions(mm) Tolerance $\pm 1\%$



Electrical & Environmental

Frequency Range	DC-18GHz
Impedance	50 ohm
VSWR	1.2 max
Insulation Resistance	$\geq 5000 \text{ M}\Omega$
Withstand Voltage	1000 V
Mating Cycles	> 500 Cycles
Temperature Range	-55°C ~ +155°C

Mechanical & Product Information

Product Number	RC18PM-SSM02-GBA
Product Type	SMP(GPO) Male, PCB Connector
Shape/Mounting	Straight
Attachment Method	Solder
Connector Body	Gold plated brass
Center Contact	Gold plated Tin bronze
Insulator	PTFE
Dimension	7.4(L)*6.4(ϕ)mm