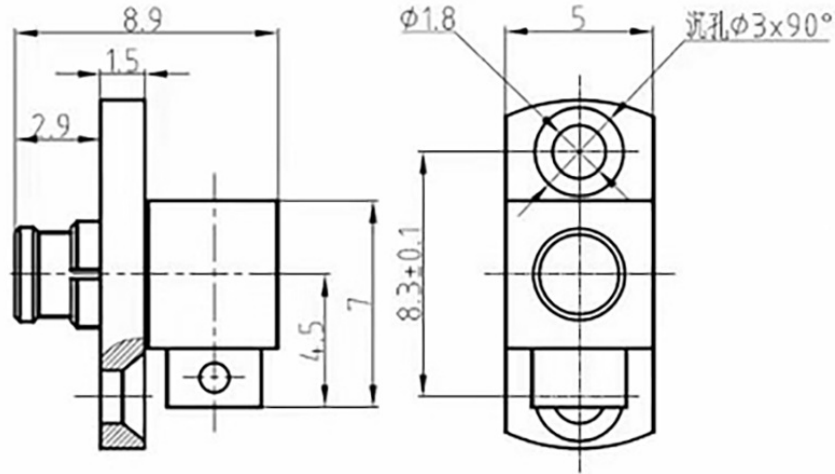


SMP(GPO) Female Cable Connector, RC18PFW-B02-GBA
DC-18GHz, Right Angle, 2 hole flange, 8.3mm Hole Spacing, Attachment for JB02Series Cable

Dimensions(mm) Tolerance±1%



Electrical & Environmental

Frequency Range	DC-18GHz
Impedance	50 ohm
Insulation Resistance	$\geq 5000 \text{ M}\Omega$
Withstand Voltage	500 V
Mating Cycles	> 500 Cycles
Temperature Range	-55°C ~ +155°C

Mechanical & Product Information

Product Number	RC18PFW-B02-GBA
Product Type	SMP(GPO) Female, Cable Connector
Shape/Mounting	Right Angle, 2 hole flange
Attachment Method	Solder
Attachment for	JB02 Series Cable
Connector Body	Gold plated beryllium copper/Gold plated brass
Center Contact	Gold plated beryllium copper
Insulator	PTFE
Dimension	6.9(L)mm



Microwave and Millimeter wave products
supplier

RFTOP® Technology Co., Ltd.
www.rftop.com service@rftop.com 86-755-88840350