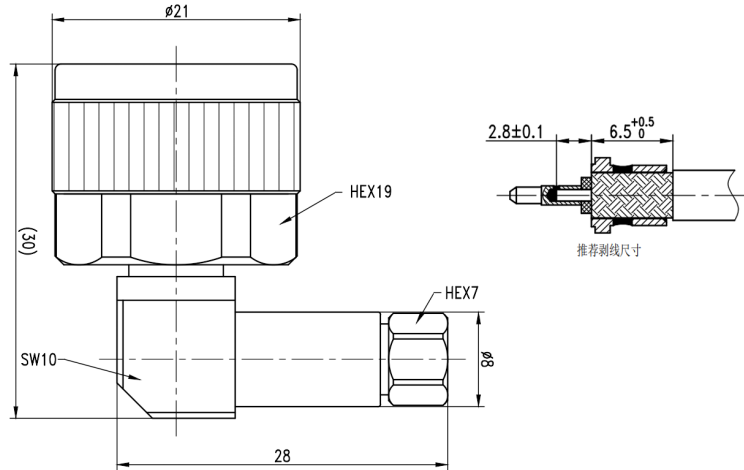




N Male Cable Connector, RC18NMW-B360 DC-18GHz, Right Angle, Attachment for 3507Series Cable

Dimensions(mm) Tolerance $\pm 1\%$



Electrical & Environmental

Frequency Range	DC-18GHz
Impedance	50 ohm
VSWR	1.3 max
Insulation Resistance	$\geq 5000 \text{ M}\Omega$
Withstand Voltage	1000 V
Mating Cycles	> 500 Cycles
Temperature Range	-55°C ~ +165°C

Mechanical & Product Information

Product Number	RC18NMW-B360, H-Grade
Product Type	N Male, Cable Connector
Shape/Mounting	Right Angle
Attachment Method	Solder
Attachment for	3507 Series Cable
Connector Body	Passivated stainless steel 316F
Center Contact	Gold plated beryllium copper
Insulator	PEI
Dimension	30(L) \times 28(W) \times 21(ϕ)mm
Net Weight	About 37.8g