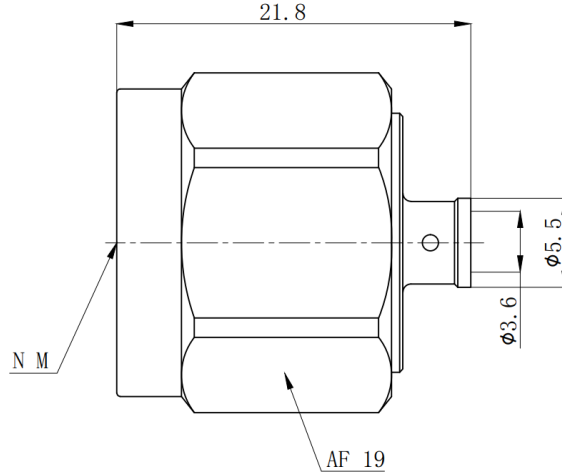




N Male Cable Connector, RC18NM-B3 DC-18GHz, Straight, Attachment for 141, SS402Series Cable

Dimensions(mm) Tolerance $\pm 1\%$



Electrical & Environmental

Frequency Range	DC-18GHz
Impedance	50 ohm
VSWR	1.2 max
Withstand Voltage	1500 V
Mating Cycles	> 500 Cycles
Temperature Range	-55°C ~ +155°C

Mechanical & Product Information

Product Number	RC18NM-B3
Product Type	N Male, Cable Connector
Shape/Mounting	Straight
Attachment Method	Solder
Attachment for	141, SS402 Series Cable
Connector Body	Passivated stainless steel/Ternary alloy plated brass
Center Contact	Gold plated brass
Insulator	PTFE
Dimension	21.8(L)mm
Net Weight	About 22.4g