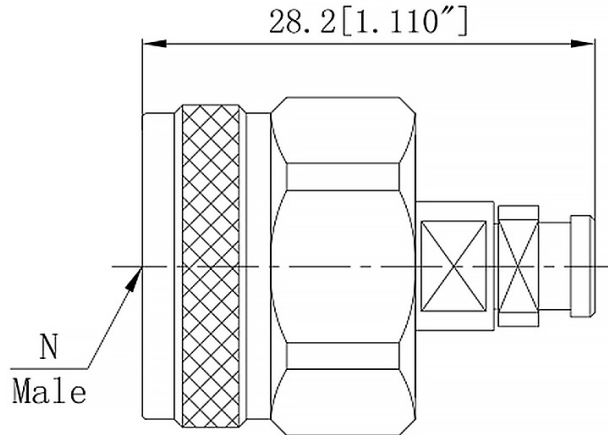




N Male Cable Connector, **RC18NM-141** DC-18GHz, Straight, Attachment for 141Series Cable

Dimensions(mm) Tolerance $\pm 1\%$



Electrical & Environmental

Frequency Range	DC-18GHz
Impedance	50 ohm
VSWR	1.25 max
Insulation Resistance	$\geq 5000 \text{ M}\Omega$
Withstand Voltage	1000 V
Mating Cycles	> 500 Cycles
Temperature Range	-55°C ~ +165°C

Mechanical & Product Information

Product Number	RC18NM-141
Product Type	N Male, Cable Connector
Shape/Mounting	Straight
Attachment Method	Solder
Attachment for	141 Series Cable
Connector Body	Passivated stainless steel
Center Contact	Gold plated brass
Insulator	PTFE
Dimension	28.2(L)mm