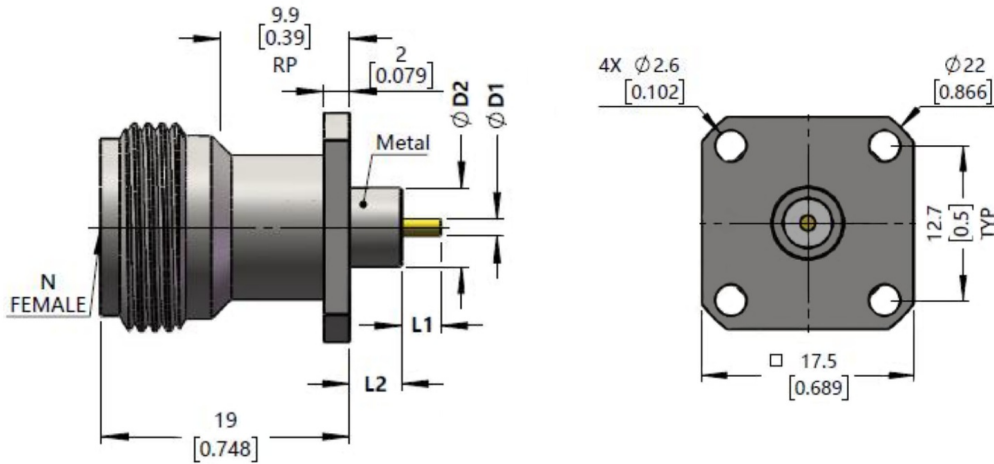




N Female Bulkhead Flange Connector, RC18NF-MF4D09-XX DC-18GHz, Straight, 4 hole flange, 12.7mm Hole Spacing

Dimensions(mm) Tolerance $\pm 1\%$



Product Selection

D1(mm)	L1(mm)	D2(mm)	L2(mm)	RFTOP P/N
1.27	3.00	6.00	4.00	RC18NF-MF4D09-12701

Electrical & Environmental

Frequency Range	DC-18GHz	Impedance	50 ohm
VSWR	1.25 max	Withstand Voltage	1000 V
Insulation Resistance	$\geq 5000 M\Omega$	Contact Resistance	\leq In:1.0/Out:0.2 m Ω
Mating Cycles	> 500 Cycles	Temperature Range	-55°C~+165°C

Mechanical & Product Information

Product Number	RC18NF-MF4D09-XX	Connector	N Female
Shape/Mounting	Straight , 4 hole flange	Attachment Method	Solder
Connector Body	Passivated stainless steel	Insulator	PTFE&PEI
Center Contact	Gold plated beryllium copper		