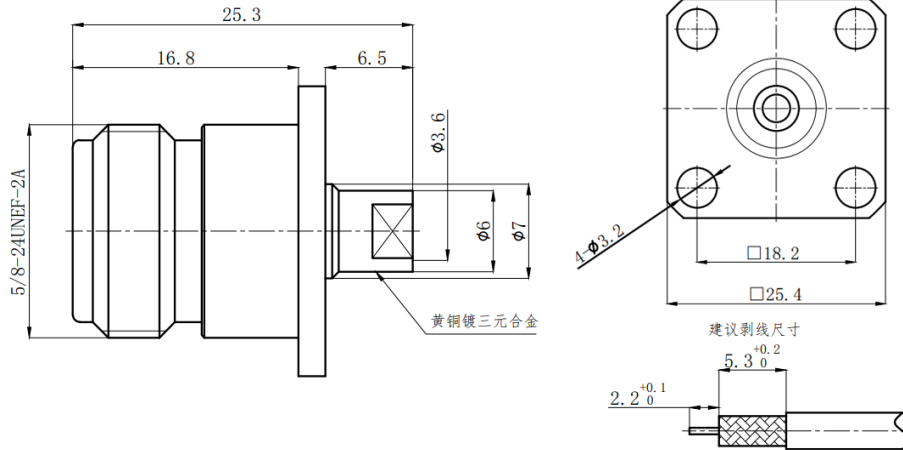


## N Female Cable Connector, RC18NF-B3

DC-18GHz, Straight, 4 hole flange, 18.2mm Hole Spacing, Attachment for 141, SS402Series Cable

### Dimensions(mm) Tolerance±1%



### Electrical & Environmental

Frequency Range	DC-18GHz
Impedance	50 ohm
VSWR	1.3 max
Withstand Voltage	1500 V
Mating Cycles	> 500 Cycles
Temperature Range	-55°C ~ +155°C

### Mechanical & Product Information

Product Number	RC18NF-B3
Product Type	N Female, Cable Connector
Shape/Mounting	Straight, 4 hole flange
Attachment Method	Solder
Attachment for	141, SS402 Series Cable
Connector Body	Passivated stainless steel 316L
Center Contact	Gold plated Tin bronze
Insulator	PTFE
Dimension	25.3(L)mm



Microwave and Millimeter wave products  
supplier

RFTOP® Technology Co., Ltd.  
[www.rftop.com](http://www.rftop.com) [service@rftop.com](mailto:service@rftop.com) 86-755-88840350