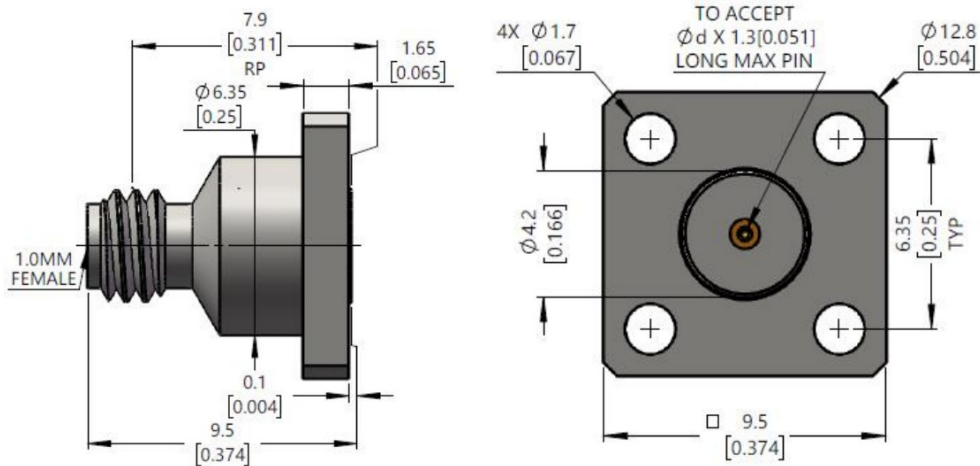




## 1.0mm Female Field Replaceable Connector, RC110WF-UF4D02-XX DC-110GHz, Straight, 4 hole flange, 6.35mm Hole Spacing

### Dimensions(mm) Tolerance±1%



### Product Selection

| D(mm) | RFTOP P/N          |
|-------|--------------------|
| 0.23  | RC110WF-UF4D02-023 |

### Electrical & Environmental

|                       |                             |                    |   |
|-----------------------|-----------------------------|--------------------|---|
| Frequency Range       | DC-110GHz                   | Impedance          | 50 ohm  |
| VSWR                  | 1.5 max                     | Withstand Voltage  | 750 V   |
| Insulation Resistance | $\geq 5000 \text{ M}\Omega$ | Contact Resistance | $\leq \text{In:}3.0/\text{Out:}2.0 \text{ m}\Omega$ |
| Mating Cycles         | > 500 Cycles                | Temperature Range  | -55°C~+165°C  |

### Mechanical & Product Information

|                |                              |                   |                   |
|----------------|------------------------------|-------------------|-------------------|
| Product Number | RC110WF-UF4D02-XX            | Connector         | 1.0mm Female      |
| Shape/Mounting | Straight , 4 hole flange     | Attachment Method | Field Replaceable |
| Connector Body | Passivated stainless steel   | Insulator         | PEI               |
| Center Contact | Gold plated beryllium copper |                   |                   |
| Dimension      | 9.5(L)mm                     | Net Weight        | -                 |