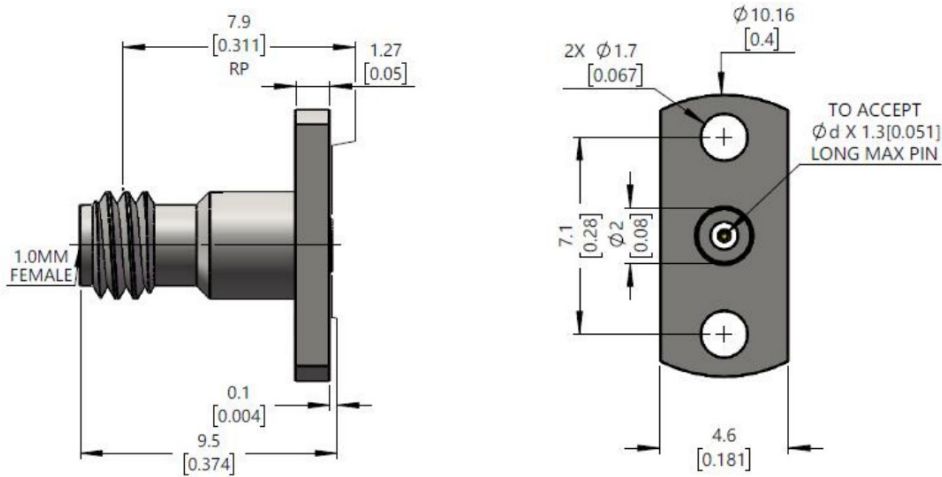




## 1.0mm Female Field Replaceable Connector, RC110WF-UF2D12-XX DC-110GHz, Straight, 2 hole flange, 7.1mm Hole Spacing

### Dimensions(mm) Tolerance $\pm 1\%$



### Product Selection

D(mm)	RFTOP P/N
0.23	RC110WF-UF2D12-023

### Electrical & Environmental

Frequency Range	DC-110GHz	Impedance	50 ohm
VSWR	1.5 max	Withstand Voltage	750 V
Insulation Resistance	$\geq 5000 \text{ M}\Omega$	Contact Resistance	$\leq \text{In:}3.0/\text{Out:}2.0 \text{ m}\Omega$
Mating Cycles	> 500 Cycles	Temperature Range	-55°C~+165°C

### Mechanical & Product Information

Product Number	RC110WF-UF2D12-XX	Connector	1.0mm Female
Shape/Mounting	Straight , 2 hole flange	Attachment Method	Field Replaceable
Connector Body	Passivated stainless steel	Insulator	PEI
Center Contact	Gold plated beryllium copper		
Dimension	9.5(L)mm	Net Weight	-