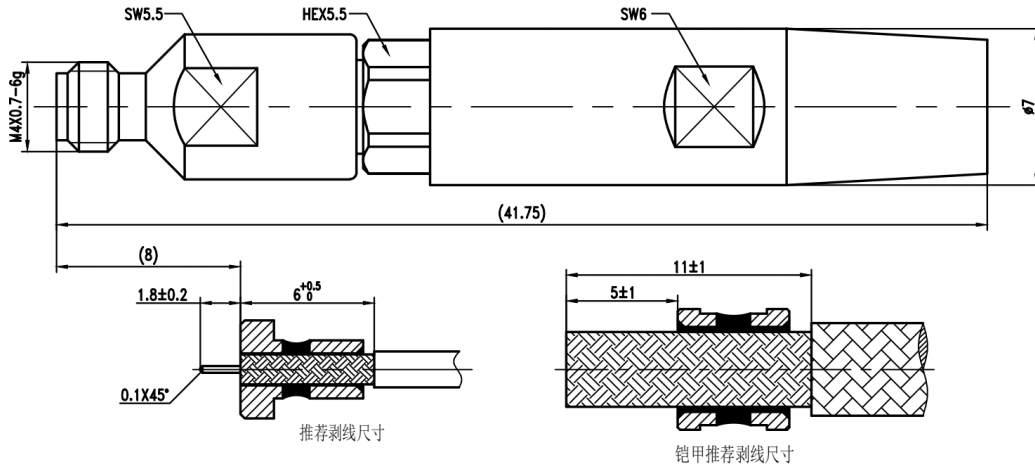


1.0mm Female Cable Connector, RC110WF-B160BKJ

DC-110GHz, Straight, Attachment for .047、CNT160, 配接铠甲: KJB22-PTFE Cable

Dimensions(mm) Tolerance±1%



Electrical & Environmental

| | | | |
|------------------------|--------------|--------------------------|----------------|
| Frequency Range | DC-110GHz | Impedance | 50 ohm |
| VSWR | 1.45 max | Withstand Voltage | 500 V |
| Mating Cycles | > 500 Cycles | Temperature Range | -55°C ~ +165°C |

Mechanical & Product Information

| | | | |
|-----------------------|--|--------------------------|--------------|
| Product Number | RC110WF-B160BKJ, H-Grade | Connector | 1.0mm Female |
| Shape/Mounting | Straight | Attachment Method | Solder |
| Attachment for | .047、CNT160, 配接铠甲: KJB22-PTFE Series Cable | | |
| Connector Body | Passivated stainless steel 316F | Insulator | PEI |
| Center Contact | Gold plated beryllium copper | | |
| Dimension | 41.75(L)mm | Net Weight | - |