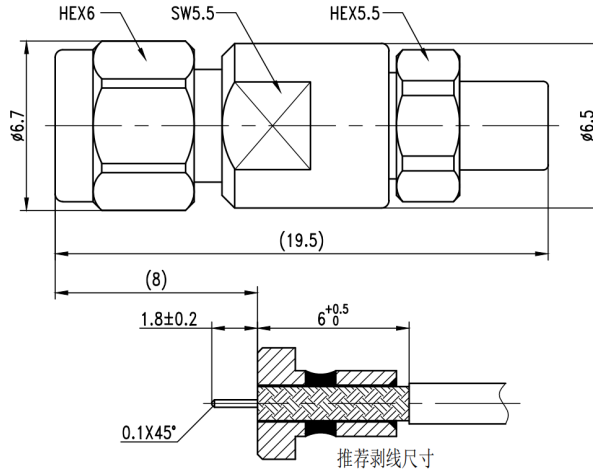


1.0mm Male Cable Connector, RC110M-B150 DC-110GHz, Straight, Attachment for 150F Series Cable

Dimensions(mm) Tolerance $\pm 1\%$



Electrical & Environmental

| | |
|-----------------------|-----------------------------|
| Frequency Range | DC-110GHz |
| Impedance | 50 ohm |
| VSWR | 1.5 max |
| Insulation Resistance | $\geq 5000 \text{ M}\Omega$ |
| Withstand Voltage | 500 V |
| Mating Cycles | > 500 Cycles |
| Temperature Range | -55°C ~ +165°C |

Mechanical & Product Information

| | |
|-------------------|----------------------------------|
| Product Number | RC110M-B150, H-Grade |
| Product Type | 1.0mm Male, Cable Connector |
| Shape/Mounting | Straight |
| Attachment Method | Solder |
| Attachment for | 150F Series Cable |
| Connector Body | Passivated stainless steel 316F |
| Center Contact | Gold plated beryllium copper |
| Insulator | PEI |
| Dimension | 19.5(L) \times 6.7(ϕ)mm |