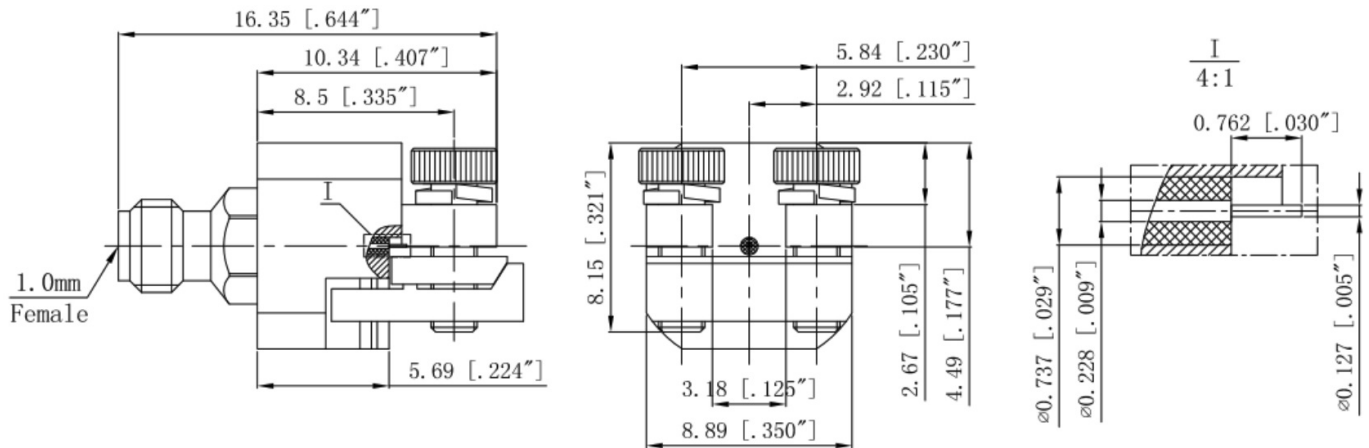




1.0mm Female PCB Connector, RC110F-EL0127

DC-110GHz, Straight, 2 hole flange, 5.84mm Hole Spacing, 0.127mm Pin

Dimensions(mm) Tolerance±1%



Electrical & Environmental

Frequency Range	DC-110GHz
Impedance	50 ohm
VSWR	1.45 max
Insulation Resistance	≥ 5000 MΩ
Withstand Voltage	500 V
Mating Cycles	> 500 Cycles
Temperature Range	-55°C ~ +165°C

Mechanical & Product Information

Product Number	RC110F-EL0127
Product Type	1.0mm Female, PCB Connector
Shape/Mounting	Straight, 2 hole flange
Attachment Method	Clamp
Connector Body	Passivated stainless steel
Center Contact	Gold plated beryllium copper
Insulator	PEI&PTFE
Dimension	16.35(L)*8.15(W)*8.89(W)mm