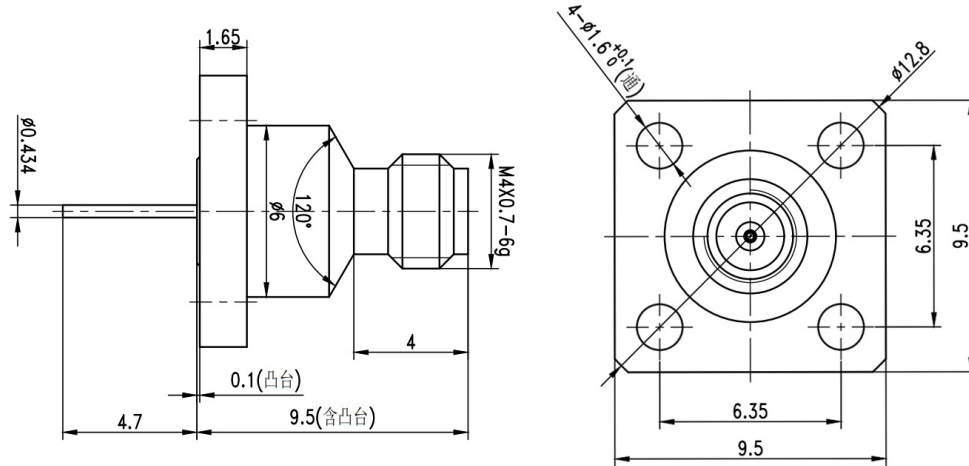


## 1.0mm Female Airline Bulkhead Connector, RC110F-AFD043

### DC-110GHz, Straight, 4 hole flange, 6.35mm Hole Spacing, 0.434mm Pin

#### Dimensions(mm) Tolerance $\pm 1\%$



#### Electrical & Environmental

Frequency Range	DC-110GHz
Impedance	50 ohm
VSWR	1.35 max
Contact Resistance	$\leq$ In:3.0/Out:2.0 m $\Omega$
Insulation Resistance	$\geq$ 5000 M $\Omega$
Withstand Voltage	500 V
Mating Cycles	> 500 Cycles
Temperature Range	-55°C~+165°C

#### Mechanical & Product Information

Product Number	RC110F-AFD043, H-Grade
Product Type	1.0mm Female, Airline Bulkhead Connector
Shape/Mounting	Straight, 4 hole flange
Attachment Method	Solder
Connector Body	Passivated stainless steel 316F
Center Contact	Gold plated beryllium copper
Insulator	PEI
Dimension	14.2(L)mm