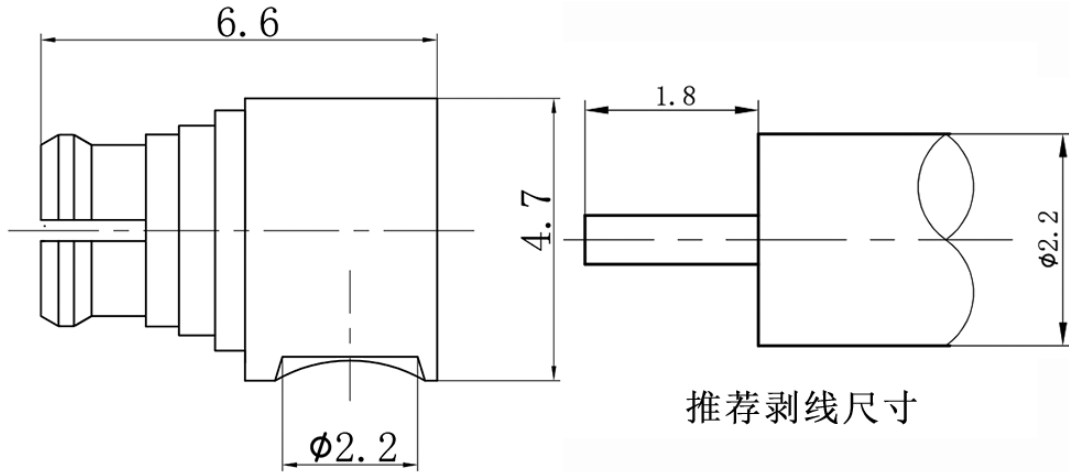




SMP(GPO) Female Cable Connector, RC10PFW-B001-GBC DC-10GHz, Right Angle

Dimensions(mm) Tolerance $\pm 1\%$



Electrical & Environmental

Frequency Range	DC-10GHz
Impedance	50 ohm
VSWR	1.3 max
Contact Resistance	\leq In:3.0/Out:2.0 m Ω
Insulation Resistance	\geq 5000 M Ω
Withstand Voltage	750 V
Mating Cycles	> 500 Cycles
Temperature Range	-55 $^{\circ}$ C ~ +155 $^{\circ}$ C

Mechanical & Product Information

Product Number	RC10PFW-B001-GBC
Product Type	SMP(GPO) Female, Cable Connector
Shape/Mounting	Right Angle
Attachment Method	Solder
Attachment for	-
Connector Body	Gold plated beryllium copper
Center Contact	Gold plated beryllium copper
Insulator	PTFE
Dimension	6.6(L)*4.7(W)mm