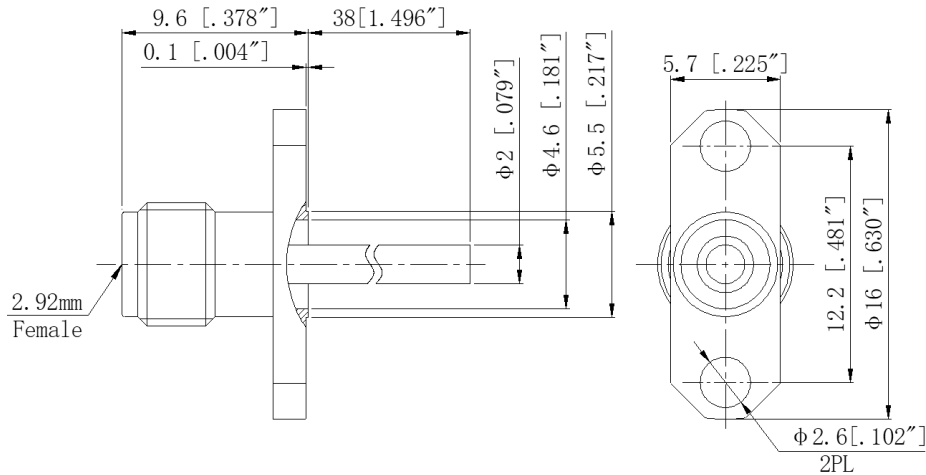




2.92mm Female Airline Bulkhead Connector, RC10F-AF2D2-38 DC-10GHz, Straight, 2 hole flange, 12.2mm Hole Spacing, 2mm Pin

Dimensions(mm) Tolerance $\pm 1\%$



Electrical & Environmental

Frequency Range	DC-10GHz
Impedance	50 ohm
VSWR	1.2 max
Contact Resistance	\leq In:3.0/Out:2.0 m Ω
Insulation Resistance	\geq 5000 M Ω
Withstand Voltage	1000 V
Mating Cycles	> 500 Cycles
Temperature Range	-55°C~+165°C

Mechanical & Product Information

Product Number	RC10F-AF2D2-38
Product Type	2.92mm Female, Airline Bulkhead Connector
Shape/Mounting	Straight, 2 hole flange
Attachment Method	Solder
Connector Body	Passivated stainless steel
Center Contact	Gold plated beryllium copper
Insulator	PEI
Dimension	47.6(L)mm
Net Weight	About 2.8g