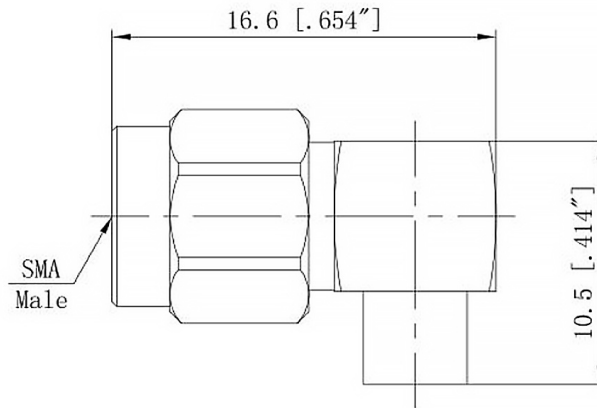




SMA Male Cable Connector, RC06SMW-B3 DC-6GHz, Right Angle

Dimensions(mm) Tolerance $\pm 1\%$



Electrical & Environmental

Frequency Range	DC-6GHz
Impedance	50 ohm
VSWR	1.25 max
Insulation Resistance	$\geq 5000 \text{ M}\Omega$
Withstand Voltage	1000 V
Mating Cycles	> 500 Cycles
Temperature Range	-55°C ~ +165°C

Mechanical & Product Information

Product Number	RC06SMW-B3
Product Type	SMA Male, Cable Connector
Shape/Mounting	Right Angle
Attachment Method	Solder
Attachment for	-
Connector Body	Passivated stainless steel/Gold plated brass
Center Contact	Gold plated brass
Insulator	PTFE
Dimension	16.6(L)*10.5(W)mm