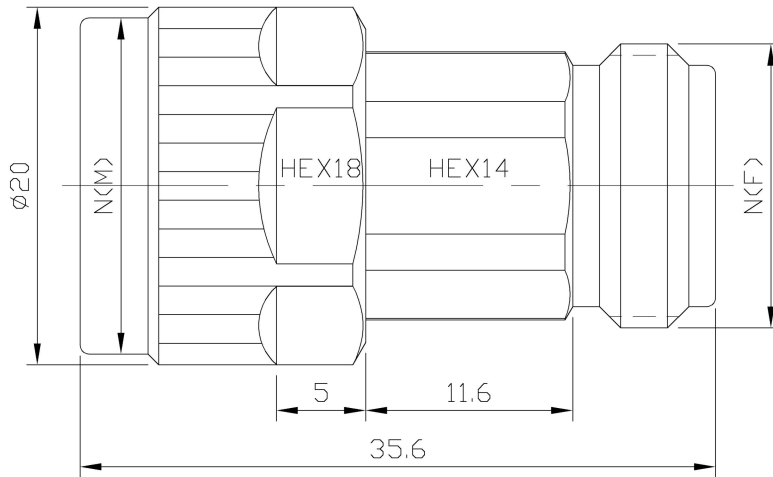


N Coaxial Fixed Attenuator, **RBM10F18N5H-XX** 10MHz-18GHz, 5W, 1-40dB, Bidirectional, Round

Dimensions(mm) Tolerance±1%



Electrical & Environmental

Frequency Range	10MHz-18GHz , 50Ohms
VSWR	1.2 Max
Input Avg Power	5W @25°C
Peak Power	200W (5μsec pulse width, 2% duty cycle)
Temp Coefficient	<0.0002 dB/dB/°C
Direction	Bidirectional, N male to N female
Attenuation	1-40dB
Operating Temp	-55°C~+100°C

Product Selection, Customizable		
RFTOP P/N	ATTEN	Accuracy
RBM10F18N5H-3	3 dB	+0.5/-0.3 dB
RBM10F18N5H-6	6 dB	+0.5/-0.3 dB
RBM10F18N5H-10	10 dB	+0.5/-0.3 dB
RBM10F18N5H-20	20 dB	+0.6/-0.3 dB
RBM10F18N5H-30	30 dB	+0.7/-0.3 dB
RBM10F18N5H-40	40 dB	+1.0/-0.9 dB

Notes: Pay attention to input/output. To ensure longevity and performance, do not use at full power for a long time. Peak power, pulse width, and duty cycle need to meet the requirements. Input high power, require heat dissipation, maintain temperature within 80°C. Reference Curve, derate linearly to 0.5W at 100°C.

Mechanical & Product Information

Product Number	RBM10F18N5H-XX
Product Type	Coaxial Fixed Attenuator, JP-Grade, DC Block
Connector	N male, N female
Connector Body	Passivated stainless steel
Center Contact	1.27um Gold plated beryllium copper
Heat Sink	N/A

1. Customized connectors, dimensions, directionality, PIM, dB values.
2. Refer to the RFTOP attenuator selection and usage guide.

