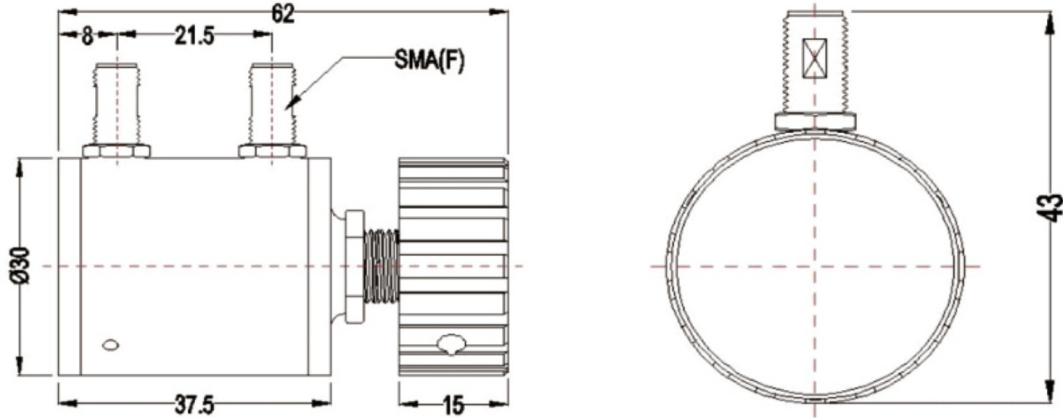




SMA Dial Step Attenuator, RAS6S5-90-10
DC-6GHz, 5W, 0-90dB, Bidirectional, Round

Dimensions(mm) Tolerance±1%



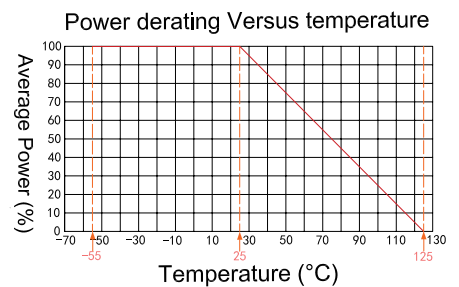
Electrical & Environmental

Frequency Range	DC-6GHz , 50Ohms
VSWR	1.5 Max
Insertion Loss	1dB Max
Input Avg Power	5W @25°C
Peak Power	50W (5μsec pulse width, 0.4% duty cycle)
Temp Coefficient	<0.0004 dB/dB/°C
Direction	Bidirectional, SMA female to SMA female
Attenuation	0-90dB/10/20/30/40/50/60/70/80/90dB
Attenuation Step	10dB
Operating Temp	-55°C~+125°C

Attenuation&Accuracy(DC-6GHz)

Attenuation(dB)	1-10	11-30	31 -90
Accuracy(dB)	±0.6	±0.9	±6

Notes: Pay attention to input/output. To ensure longevity and performance, do not use at full power for a long time. Peak power, pulse width, and duty cycle need to meet the requirements. Input high power, require heat dissipation, maintain temperature within 80°C. Reference Curve, derate linearly to 0.5W at 100°C.



Mechanical & Product Information

Product Number	RAS6S5-90-10
Product Type	Dial Step Attenuator, E-Grade
Connector	SMA female, SMA female
Connector Body	Passivated stainless steel
Center Contact	Gold plated beryllium copper
Heat Sink	N/A
Net Weight	About 210.0g

Customization and selection, Refer to RFTOP attenuator selection and usage guide.