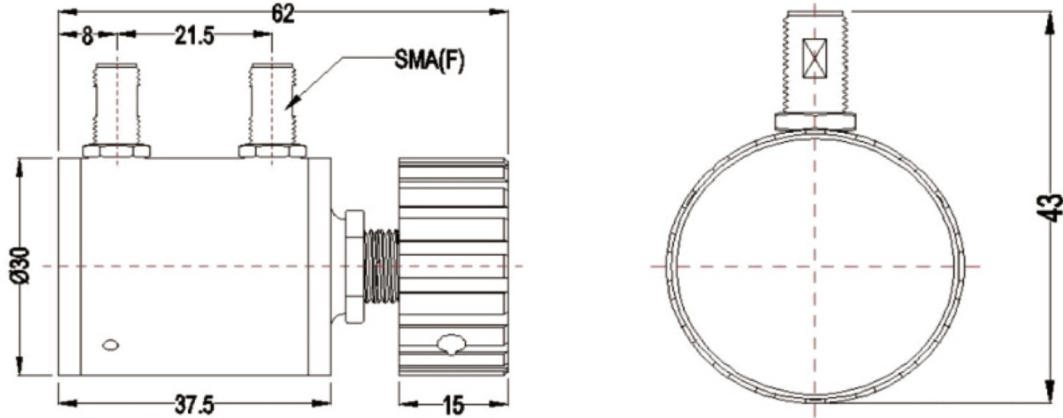




**SMA Dial Step Attenuator, RAS6S5-10-1**  
**DC-6GHz, 5W, 0-10dB, Bidirectional, Round**

**Dimensions(mm) Tolerance±1%**



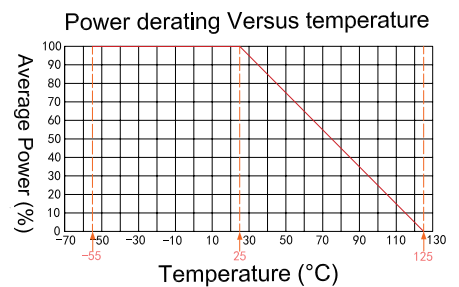
**Electrical & Environmental**

<b>Frequency Range</b>	DC-6GHz , 50Ohms
<b>VSWR</b>	1.5 Max
<b>Insertion Loss</b>	1.5dB Max
<b>Input Avg Power</b>	5W @25°C
<b>Peak Power</b>	50W (5µsec pulse width, 0.4% duty cycle)
<b>Temp Coefficient</b>	<0.0004 dB/dB/°C
<b>Direction</b>	Bidirectional, SMA female to SMA female
<b>Attenuation</b>	0-10dB/1/2/3/4/5/6/7/8/9/10dB
<b>Attenuation Step</b>	1dB
<b>Operating Temp</b>	-55°C~+125°C

**Attenuation&Accuracy(DC-6GHz)**

Attenuation(dB)	1-10
Accuracy(dB)	±0.8

**Notes:** Pay attention to input/output. To ensure longevity and performance, do not use at full power for a long time. Peak power, pulse width, and duty cycle need to meet the requirements. Input high power, require heat dissipation, maintain temperature within 80°C. Reference Curve, derate linearly to 0.5W at 100°C.



**Mechanical & Product Information**

<b>Product Number</b>	RAS6S5-10-1
<b>Product Type</b>	Dial Step Attenuator, E-Grade
<b>Connector</b>	SMA female, SMA female
<b>Connector Body</b>	Passivated stainless steel
<b>Center Contact</b>	Gold plated beryllium copper
<b>Heat Sink</b>	N/A
<b>Net Weight</b>	About 230.0g

Customization and selection, Refer to RFTOP attenuator selection and usage guide.