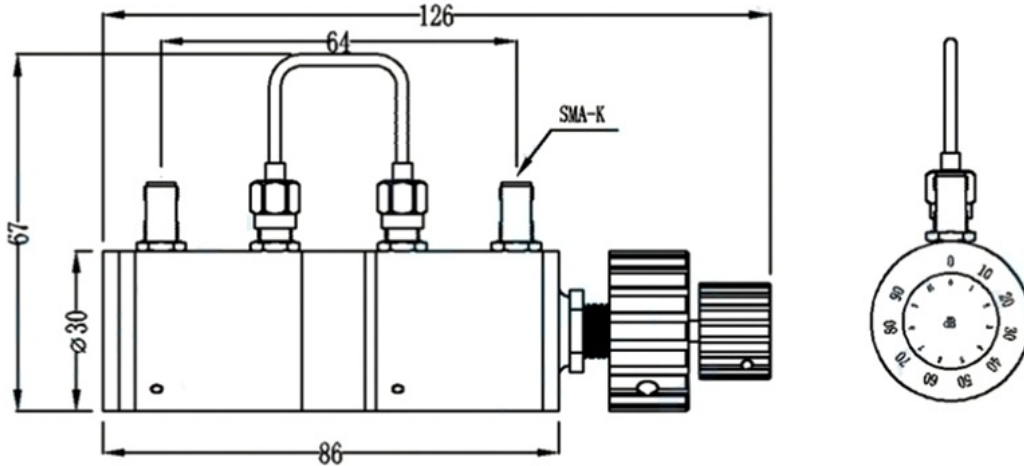




**SMA Dial Step Attenuator, RAS6S2-90-1**  
**DC-6GHz, 2W, 0-90dB, 1dB Step Size, Bidirectional, Round**

**Dimensions(mm) Tolerance±1%**



**Electrical & Environmental**

<b>Frequency Range</b>	DC-6GHz	<b>Impedance</b>	50 ohm	<b>VSWR</b>	1.5 max
<b>Input Avg Power</b>	2W @25°C	<b>Peak Power</b>	50W (5μsec pulse width, 0.4% duty cycle)		
<b>Temp Coefficient</b>	<0.0004 dB/dB/°C	<b>Attenuation</b>	0-90dB, 1dB Step Size, Insertion Loss 1.8 dB max		
<b>Direction</b>	SMA female to SMA female				

**Mechanical & Product Information**

<b>Product Number</b>	RAS6S2-90-1, Economical	<b>Connector</b>	SMA
<b>Connector Body</b>	Passivated stainless steel	<b>Heat Sink</b>	N/A
<b>Center Contact</b>	Gold plated brass, Gold plated beryllium copper		
<b>Operating Temp</b>	-55°C~+125°C	<b>Net Weight</b>	About 307.0g

**Attenuation&Accuracy(DC-6GHz)**

Attenuation(dB)	1-10	11-40	41-90
Accuracy(dB)	±0.6	±0.9	±5%

**Notes**

1. Refer to the derating curve for power input, derate linearly to 0.2 W at 100°C.
2. Customized dB values, outlines and optimal accuracy & VSWR available.

