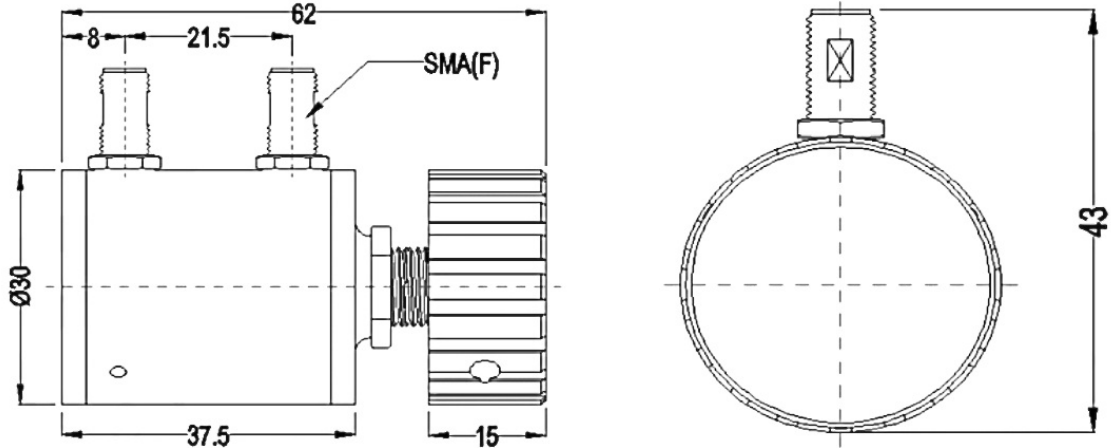


SMA Dial Step Attenuator, RAS6S2-1-01

DC-6GHz, 2W, 0-1dB, 0.1dB Step Size, Bidirectional, Round

Dimensions(mm) Tolerance $\pm 1\%$



Electrical & Environmental

| | | | | | |
|-------------------------|--------------------------|--------------------|--|-------------|---------|
| Frequency Range | DC-6GHz | Impedance | 50 ohm | VSWR | 1.5 max |
| Input Avg Power | 2W @25°C | Peak Power | 50W (5 μ sec pulse width, 0.4% duty cycle) | | |
| Temp Coefficient | <0.0004 dB/dB/°C | Attenuation | 0-1dB, 0.1dB Step Size | | |
| Direction | SMA female to SMA female | | | | |

Mechanical & Product Information

| | | | |
|-----------------------|---|-------------------|--------------|
| Product Number | RAS6S2-1-01, Economical | Connector | SMA |
| Connector Body | Passivated stainless steel | Heat Sink | N/A |
| Center Contact | Gold plated brass, Gold plated beryllium copper | | |
| Operating Temp | -55°C~+125°C | Net Weight | About 201.0g |

Notes

1. Refer to the derating curve for power input, derate linearly to 0.2 W at 100°C.
2. Customized dB values, outlines and optimal accuracy & VSWR available.

