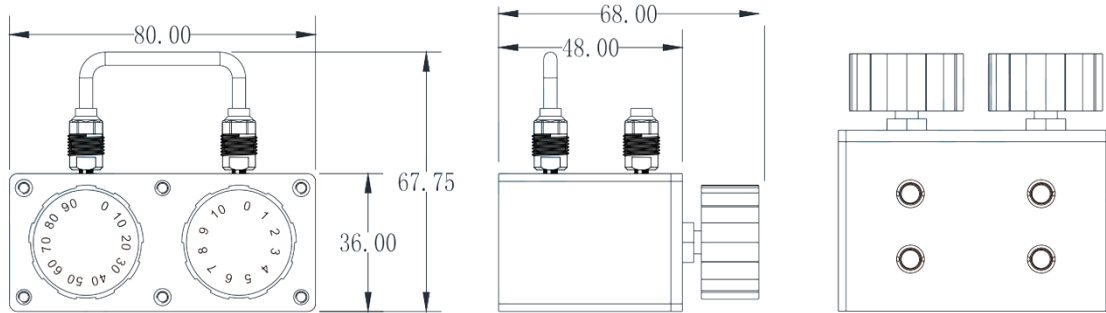




N Dial Step Attenuator, **RAS6N2P-90-1** DC-6GHz, 2W, 0-90dB, Bidirectional, Rectangular

Dimensions(mm) Tolerance±1%



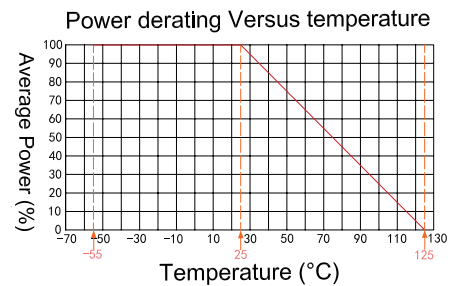
Electrical & Environmental

Frequency Range	DC-6GHz , 50Ohms
VSWR	1.5 Max
Insertion Loss	1.8dB Max
Input Avg Power	2W @25°C
Peak Power	50W (5μsec pulse width, 0.4% duty cycle)
Temp Coefficient	<0.0004 dB/dB/°C
Direction	Bidirectional, N female to N female
Attenuation	0-90dB0/1/2/3/4/5/6/7/8/9/...../90dB
Attenuation Step	1dB
Operating Temp	-55°C~+125°C

Attenuation&Accuracy(DC-6GHz)

Attenuation(dB)	1-10	11-40	41-90
Accuracy(dB)	±0.6	±0.9	±5%

Notes: Pay attention to input/output. To ensure longevity and performance, do not use at full power for a long time. Peak power, pulse width, and duty cycle need to meet the requirements. Input high power, require heat dissipation, maintain temperature within 80°C. Reference Curve, derate linearly to 0.2W at 100°C.



Mechanical & Product Information

Product Number	RAS6N2P-90-1
Product Type	Dial Step Attenuator, E-Grade
Connector	N female, N female
Connector Body	Nickel plated brass
Center Contact	Gold plated beryllium copper
Heat Sink	Black anodized aluminum
Net Weight	About 520.0g

Customization and selection, Refer to RFTOP attenuator selection and usage guide.