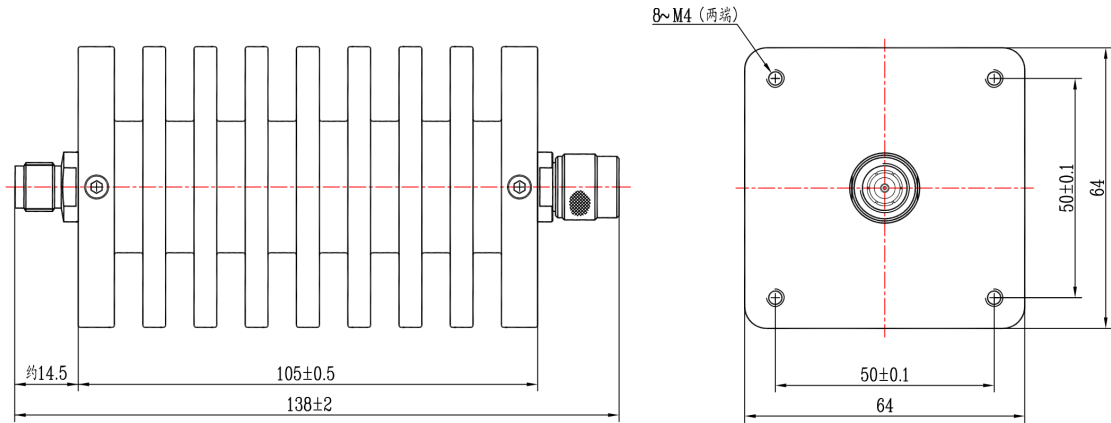


TNC Coaxial Fixed Attenuator, R8T100UAB-XX DC-8.5GHz, 100W, 6-60dB, Unidirectional, Rectangular

Dimensions(mm) Tolerance±1%



Electrical & Environmental

| | |
|-------------------------|---|
| Frequency Range | DC-8.5GHz , 50ohms |
| VSWR | 1.25 Max |
| Input Avg Power | 100W @25°C |
| Peak Power | 1kW (5µsec pulse width, 5% duty cycle) |
| Temp Coefficient | <0.0004 dB/dB/°C |
| Direction | Unidirectional, TNC male input to TNC female output |
| Attenuation | 6-60dB |
| Operating Temp | -55°C~+125°C |

| Product Selection, Customizable | | |
|---------------------------------|-------|----------|
| RFTOP P/N | ATTEN | Accuracy |
| R8T100UAB-6 | 6 dB | ±0.8 dB |
| R8T100UAB-10 | 10 dB | ±0.8 dB |
| R8T100UAB-20 | 20 dB | ±0.8 dB |
| R8T100UAB-30 | 30 dB | ±0.9 dB |
| R8T100UAB-40 | 40 dB | ±0.9 dB |
| R8T100UAB-50 | 50 dB | ±1.0 dB |
| R8T100UAB-60 | 60 dB | ±1.0 dB |

Notes: Pay attention to input/output. To ensure longevity and performance, do not use at full power for a long time. Peak power, pulse width, and duty cycle need to meet the requirements. Input high power, require heat dissipation, maintain temperature within 80°C. Reference Curve, derate linearly to 10W at 100°C.

Mechanical & Product Information

| | |
|-----------------------|---|
| Product Number | R8T100UAB-XX |
| Product Type | Coaxial Fixed Attenuator, P-Grade |
| Connector | TNC male, TNC female |
| Connector Body | Ternary alloy plated brass |
| Center Contact | Gold plated brass, Gold plated beryllium copper |
| Heat Sink | Black anodized aluminum |

1. Customized connectors, dimensions, directionality, PIM, dB values.
2. Refer to the RFTOP attenuator selection and usage guide.

