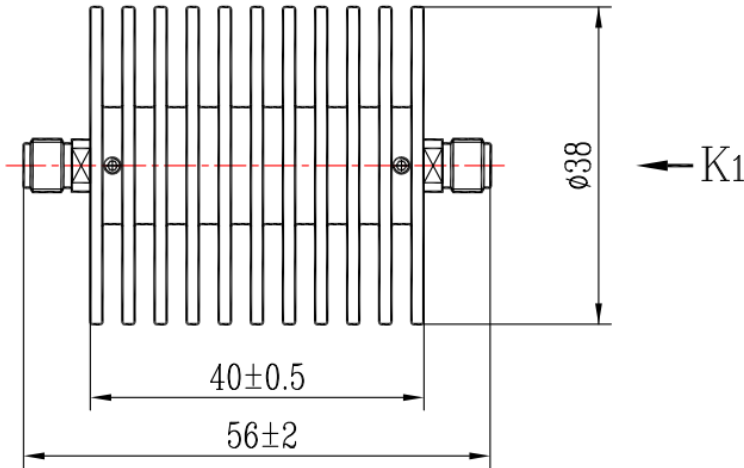




SMA Coaxial Fixed Attenuator, R8S30FFU-XX DC-8.5GHz, 30W, 1-40dB, Unidirectional, Round

Dimensions(mm) Tolerance±1%



Typical Value
RFTOP P/N
R8S30FFU-3
R8S30FFU-6
R8S30FFU-10
R8S30FFU-20
R8S30FFU-30
R8S30FFU-40

Electrical & Environmental

Frequency Range	DC-8.5GHz	Impedance	50 ohm	VSWR	1.2 max
Input Avg Power	30W @25°C	Peak Power	1kW (5µsec pulse width, 1% duty cycle)		
Temp Coefficient	<0.0004 dB/dB/°C	Attenuation	1-40dB, Customizable		
Direction	Unidirectional,SMA female input to SMA female output				

Mechanical & Product Information

Product Number	R8S30FFU-XX, P-Grade	Connector	SMA
Connector Body	Passivated stainless steel	Heat Sink	Black anodized aluminum
Center Contact	Gold plated beryllium copper		
Operating Temp	-55°C~+125°C	Net Weight	-

Attenuation&Accuracy(DC-8.5GHz)

Attenuation(dB)	1-10	11-20	21-30	31-40
Accuracy(dB)	0.5	0.6	0.8	0.8

Notes

- To maintain best performance, recommended to use fan to keep the case temp under 85°C.
- Refer to the derating curve for power input,derate linearly to 3 W at 100°C.
- Always pay attention to the direction of attenuators and note IN/OUT markings.
- Customized dB values,outlines and optimal accuracy & VSWR available.

