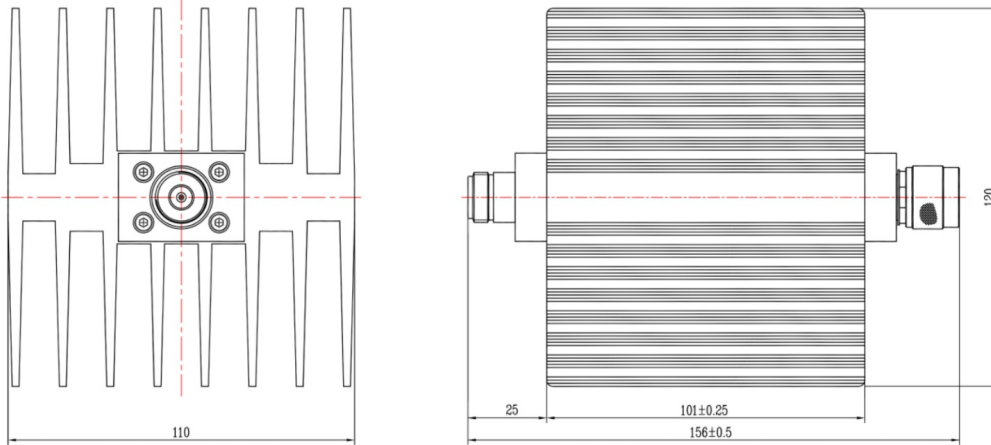




N Coaxial Fixed Attenuator, **R8N100UA-XX** DC-8.5GHz, 100W, 6-60dB, Unidirectional, Rectangular

Dimensions(mm) Tolerance±1%



Electrical & Environmental

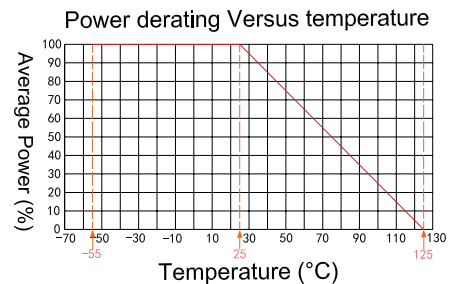
Frequency Range	DC-8.5GHz , 50ohms
VSWR	1.25 Max
Input Avg Power	100W @25°C
Peak Power	1kW (5μsec pulse width, 5% duty cycle)
Temp Coefficient	<0.0004 dB/dB/°C
Direction	Unidirectional, N male input to N female output
Attenuation	6-60dB
Operating Temp	-55°C~+100°C

Product Selection, Customizable		
RFTOP P/N	Values	Accuracy
R8N100UA-6	6dB	±0.8dB
R8N100UA-10	10dB	±0.8dB
R8N100UA-20	20dB	±0.8dB
R8N100UA-30	30dB	±0.9dB
R8N100UA-40	40dB	±0.9dB
R8N100UA-50	50dB	±0.9dB
R8N100UA-60	60dB	±1.0dB

Mechanical & Product Information

Product Number	R8N100UA-XX
Product Type	Coaxial Fixed Attenuator, P-Grade
Connector	N male, N female
Connector Body	Ternary alloy plated brass
Center Contact	Gold plated brass, Gold plated beryllium copper
Heat Sink	Black anodized aluminum
Net Weight	About 1.5kg

Notes: Pay attention to input/output. To ensure longevity and performance, do not use at full power for a long time. Peak power, pulse width, and duty cycle need to meet the requirements. Input high power, require heat dissipation, maintain temperature within 80°C. Reference Curve, derate linearly to 10W at 100°C.



1. Customized connectors, dimensions, directionality, PIM, dB values.

2. Refer to the RFTOP attenuator selection and usage guide.



N Coaxial Fixed Attenuator, R8N100UA-XX DC-8.5GHz, 100W, 6-60dB, Unidirectional, Rectangular

Typical Test Data

