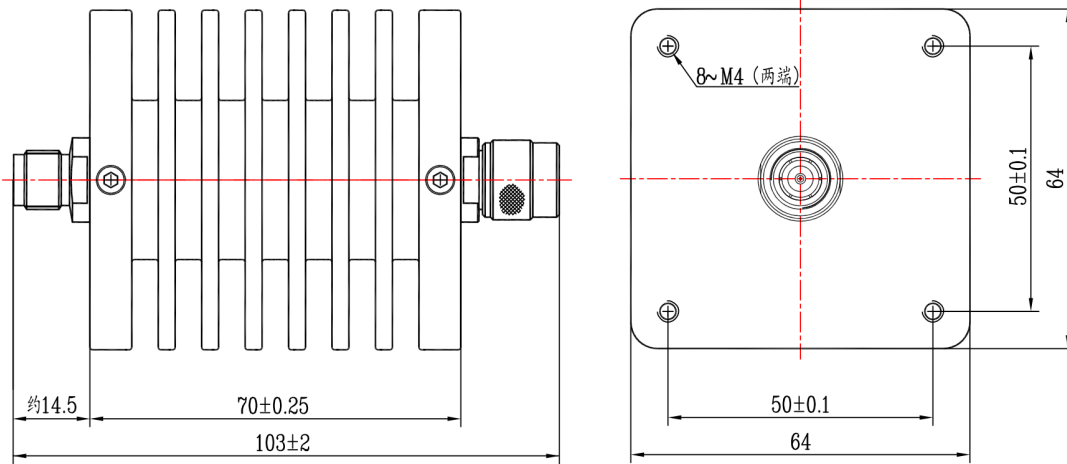


TNC Coaxial Fixed Attenuator, R6T50UAB-XX DC-6GHz, 50W, 1-60dB, Unidirectional, Rectangular

Dimensions(mm) Tolerance±1%



Electrical & Environmental

| | |
|-------------------------|---|
| Frequency Range | DC-6GHz , 50Ohms |
| VSWR | 1.25 Max |
| Input Avg Power | 50W @25°C |
| Peak Power | 500W (5μsec pulse width, 5% duty cycle) |
| Temp Coefficient | <0.0004 dB/dB/°C |
| Direction | Unidirectional, TNC male input to TNC female output |
| Attenuation | 1-60dB |
| Operating Temp | -55°C~+125°C |

Product Selection, Customizable

| RFTOP P/N | ATTEN | Accuracy |
|-------------|-------|----------|
| R6T50UAB-3 | 3 dB | ±0.5 dB |
| R6T50UAB-6 | 6 dB | ±0.5 dB |
| R6T50UAB-10 | 10 dB | ±0.5 dB |
| R6T50UAB-20 | 20 dB | ±0.6 dB |
| R6T50UAB-30 | 30 dB | ±0.8 dB |
| R6T50UAB-40 | 40 dB | ±0.8 dB |
| R6T50UAB-50 | 50 dB | ±0.8 dB |
| R6T50UAB-60 | 60 dB | ±0.9 dB |

Mechanical & Product Information

| | |
|-----------------------|---|
| Product Number | R6T50UAB-XX |
| Product Type | Coaxial Fixed Attenuator, P-Grade |
| Connector | TNC male, TNC female |
| Connector Body | Ternary alloy plated brass |
| Center Contact | Gold plated brass, Gold plated beryllium copper |
| Heat Sink | Black anodized aluminum |

1. Customized connectors, dimensions, directionality, PIM, dB values.
2. Refer to the RFTOP attenuator selection and usage guide.

Notes: Pay attention to input/output. To ensure longevity and performance, do not use at full power for a long time. Peak power, pulse width, and duty cycle need to meet the requirements. Input high power, require heat dissipation, maintain temperature within 80°C. Reference Curve, derate linearly to 5W at 100°C.

