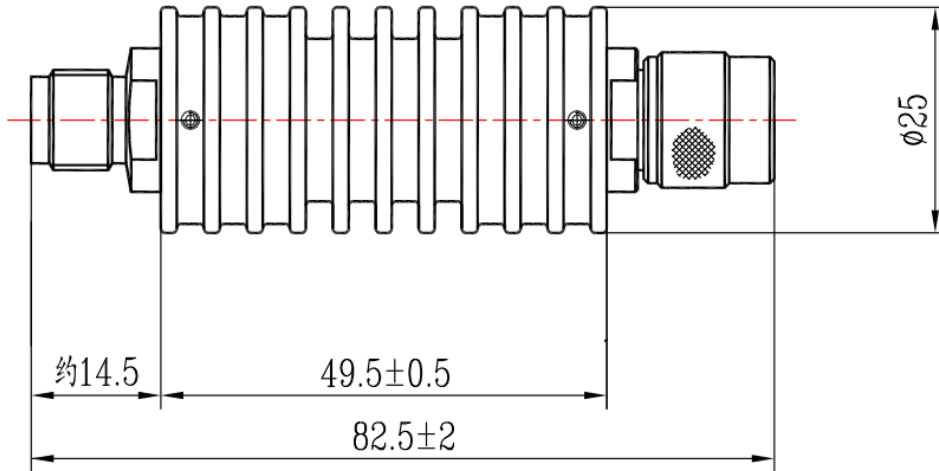




TNC Coaxial Fixed Attenuator, R6T5-XX
DC-6GHz, 5W, 6-50dB, Bidirectional, Round

Dimensions(mm) Tolerance±1%



Electrical & Environmental

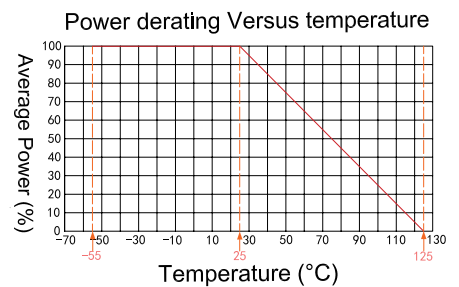
Frequency Range	DC-6GHz , 50Ohms
VSWR	1.25 Max
Input Avg Power	5W @25°C
Peak Power	500W (5µsec pulse width, 0.5% duty cycle)
Temp Coefficient	<0.0004 dB/dB/°C
Direction	Bidirectional, TNC male to TNC female
Attenuation	6-50dB
Operating Temp	-55°C~+125°C

Product Selection, Customizable		
RFTOP P/N	ATTEN	Accuracy
R6T5-6	6 dB	±0.5 dB
R6T5-10	10 dB	±0.6 dB
R6T5-20	20 dB	±0.6 dB
R6T5-30	30 dB	±0.7 dB
R6T5-40	40 dB	±0.7 dB
R6T5-50	50 dB	±0.7 dB

Mechanical & Product Information

Product Number	R6T5-XX
Product Type	Coaxial Fixed Attenuator, P-Grade
Connector	TNC male, TNC female
Connector Body	Ternary alloy plated brass
Center Contact	Gold plated brass, Gold plated beryllium copper
Heat Sink	Black anodized aluminum
Net Weight	About 65.0g

Notes: Pay attention to input/output. To ensure longevity and performance, do not use at full power for a long time. Peak power, pulse width, and duty cycle need to meet the requirements. Input high power, require heat dissipation, maintain temperature within 80°C. Reference Curve, derate linearly to 0.5W at 100°C.



1. Customized connectors, dimensions, directionality, PIM, dB values.
2. Refer to the RFTOP attenuator selection and usage guide.



TNC Coaxial Fixed Attenuator, R6T5-XX DC-6GHz, 5W, 6-50dB, Bidirectional, Round

Typical Test Data

