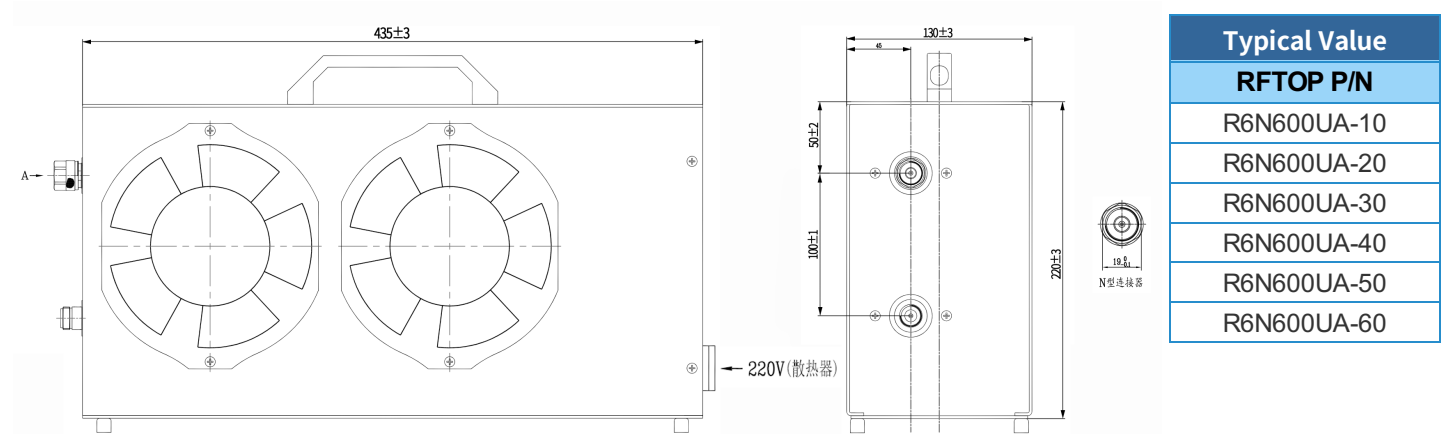


N Coaxial Fixed Attenuator, R6N600UA-XX DC-6GHz, 600W, 10-60dB, Unidirectional, Rectangular

Dimensions(mm) Tolerance±1%



Electrical & Environmental

Frequency Range	DC-6GHz	Impedance	50 ohm	VSWR	1.3 max
Input Avg Power	600W @25°C	Peak Power	1kW (5µsec pulse width, 5% duty cycle)		
Temp Coefficient	<0.0004 dB/dB/°C	Attenuation	10-60dB, Customizable		
Direction	Unidirectional,N male input to N female output				

Mechanical & Product Information

Product Number	R6N600UA-XX, Professional	Connector	N
Connector Body	Ternary alloy plated brass	Heat Sink	Black anodized aluminum
Center Contact	Gold plated brass, Gold plated beryllium copper		
Operating Temp	-55°C ~+125°C	Net Weight	-

Attenuation&Accuracy(DC-6GHz)

Attenuation(dB)	10	20	30	40	50/60
Accuracy(dB)	±2.5	±2.0	±1.1	±1.1	±1.1

Notes

- To maintain best performance, recommended to use fan to keep the case temp under 85°C.
- Refer to the derating curve for power input,derate linearly to 60 W at 100°C.
- Always pay attention to the direction of attenuators and note IN/OUT markings.
- Customized dB values,outlines and optimal accuracy & VSWR available.

