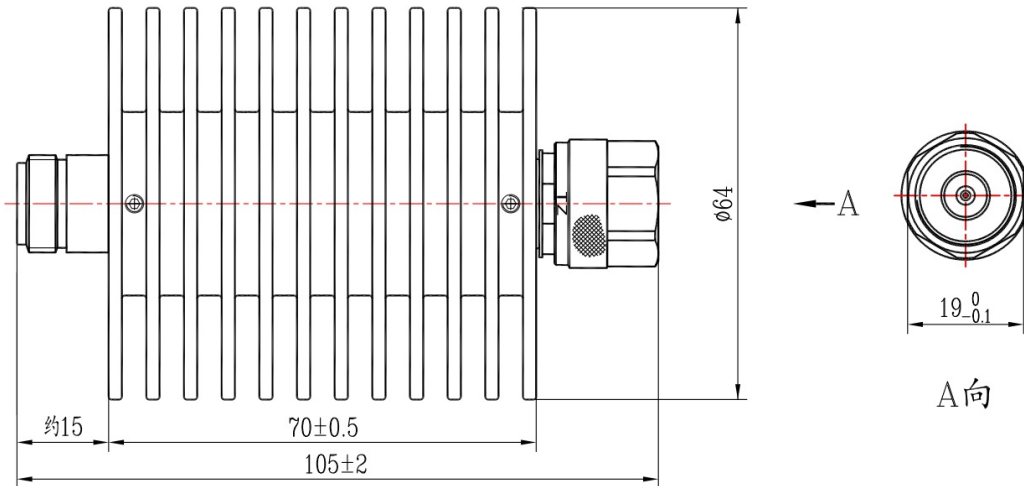




N Coaxial Fixed Attenuator, R6N50MFU-XX DC-6GHz, 50W, 1-40dB, Unidirectional, Round

Dimensions(mm) Tolerance±1%



| Typical Value |
|---------------|
| RFTOP P/N |
| R6N50MFU-3 |
| R6N50MFU-6 |
| R6N50MFU-10 |
| R6N50MFU-20 |
| R6N50MFU-30 |
| R6N50MFU-40 |

Electrical & Environmental

| | | | | | |
|-------------------------|--|--------------------|--|-------------|----------|
| Frequency Range | DC-6GHz | Impedance | 50 ohm | VSWR | 1.25 max |
| Input Avg Power | 50W @25°C | Peak Power | 1kW (5μsec pulse width, 2% duty cycle) | | |
| Temp Coefficient | <0.0004 dB/dB/°C | Attenuation | 1-40dB, Customizable | | |
| Direction | Unidirectional,N male input to N female output | | | | |

Mechanical & Product Information

| | | | |
|-----------------------|---|-------------------|-------------------------|
| Product Number | R6N50MFU-XX, Professional | Connector | N |
| Connector Body | Ternary alloy plated brass | Heat Sink | Black anodized aluminum |
| Center Contact | Gold plated brass, Gold plated beryllium copper | | |
| Operating Temp | -55°C~+125°C | Net Weight | About 355.0g |

Attenuation&Accuracy(DC-6GHz)

| | | | | |
|------------------------|------|-------|-------|-------|
| Attenuation(dB) | 1-10 | 11-20 | 21-30 | 31-40 |
| Accuracy(dB) | ±0.5 | ±0.6 | ±0.8 | ±0.8 |

Notes

1. To maintain best performance, recommended to use fan to keep the case temp under 85°C.
2. Refer to the derating curve for power input,derate linearly to 5 W at 100°C.
3. Always pay attention to the direction of attenuators and note IN/OUT markings.
4. Customized dB values,outlines and optimal accuracy & VSWR available.

