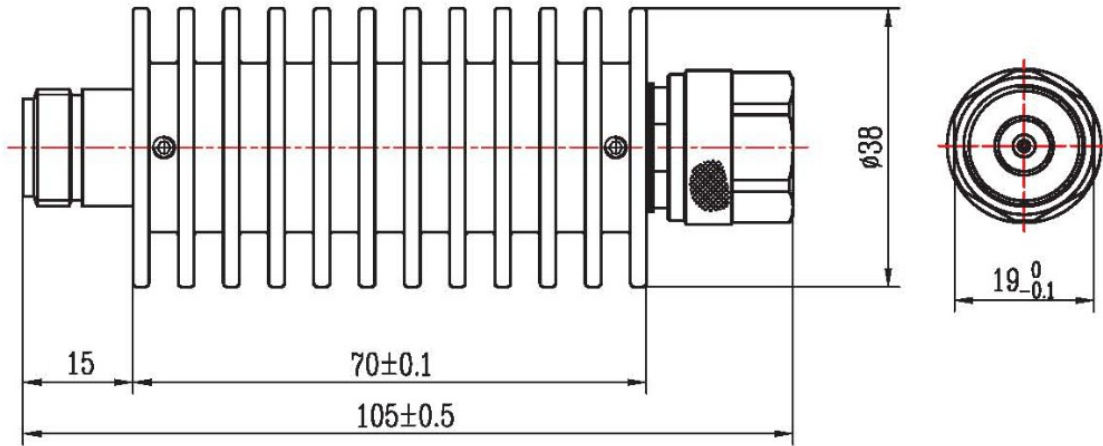




N Coaxial Fixed Attenuator, R6N30U-XX
DC-6GHz, 30W, 1-50dB, Unidirectional, Round

Dimensions(mm) Tolerance±1%



Electrical & Environmental

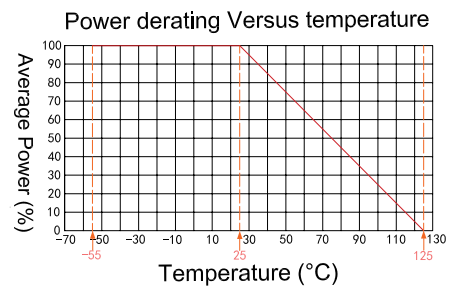
| | |
|-------------------------|---|
| Frequency Range | DC-6GHz , 50Ohms |
| VSWR | 1.25 Max |
| Input Avg Power | 30W @25°C |
| Peak Power | 800W (5μsec pulse width, 1.8% duty cycle) |
| Temp Coefficient | <0.0004 dB/dB/°C |
| Direction | Unidirectional, N male input to N female output |
| Attenuation | 1-50dB |
| Operating Temp | -55°C~+125°C |

| Product Selection, Customizable | | |
|---------------------------------|-------|----------|
| RFTOP P/N | ATTEN | Accuracy |
| R6N30U-3 | 3 dB | ±0.5 dB |
| R6N30U-6 | 6 dB | ±0.5 dB |
| R6N30U-10 | 10 dB | ±0.5 dB |
| R6N30U-20 | 20 dB | ±0.6 dB |
| R6N30U-30 | 30 dB | ±0.8 dB |
| R6N30U-40 | 40 dB | ±0.8 dB |
| R6N30U-50 | 50 dB | ±0.8 dB |

Mechanical & Product Information

| | |
|-----------------------|---|
| Product Number | R6N30U-XX |
| Product Type | Coaxial Fixed Attenuator, P-Grade |
| Connector | N male, N female |
| Connector Body | Ternary alloy plated brass |
| Center Contact | Gold plated brass, Gold plated beryllium copper |
| Heat Sink | Black anodized aluminum |
| Net Weight | About 170.0g |

Notes: Pay attention to input/output. To ensure longevity and performance, do not use at full power for a long time. Peak power, pulse width, and duty cycle need to meet the requirements. Input high power, require heat dissipation, maintain temperature within 80°C. Reference Curve, derate linearly to 3W at 100°C.



1. Customized connectors, dimensions, directionality, PIM, dB values.
2. Refer to the RFTOP attenuator selection and usage guide.



N Coaxial Fixed Attenuator, R6N30U-XX

DC-6GHz, 30W, 1-50dB, Unidirectional, Round

Typical Test Data

