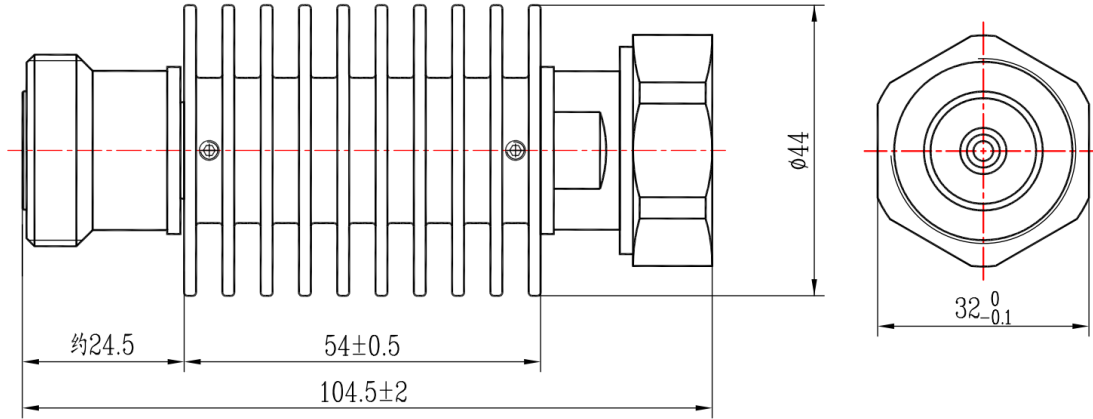


L29(DIN 7/16) Coaxial Fixed Attenuator, R6D25-XX DC-6GHz, 25W, 1-60dB, Unidirectional, Round

Dimensions(mm) Tolerance±1%



Electrical & Environmental

Frequency Range	DC-6GHz , 50Ohms
VSWR	1.25 Max
Input Avg Power	25W @25°C
Peak Power	800W (5μsec pulse width, 1.5% duty cycle)
Temp Coefficient	<0.0004 dB/dB/°C
Direction	Unidirectional, L29 male input to L29 female output
Attenuation	1-60dB
Operating Temp	-55°C~+125°C

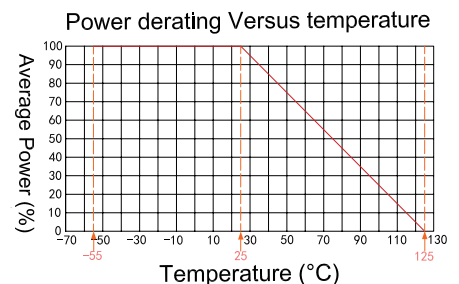
Product Selection, Customizable

RFTOP P/N	ATTEN	Accuracy
R6D25-3	3 dB	±0.5 dB
R6D25-6	6 dB	±0.5 dB
R6D25-10	10 dB	±0.5 dB
R6D25-20	20 dB	±0.6 dB
R6D25-30	30 dB	±0.8 dB
R6D25-40	40 dB	±0.8 dB
R6D25-50	50 dB	±0.9 dB
R6D25-60	60 dB	±1.0 dB

Mechanical & Product Information

Product Number	R6D25-XX
Product Type	Coaxial Fixed Attenuator, P-Grade
Connector	L29 male, L29 female
Connector Body	Ternary alloy plated brass
Center Contact	Gold plated brass, Gold plated beryllium copper
Heat Sink	Black anodized aluminum

Notes: Pay attention to input/output. To ensure longevity and performance, do not use at full power for a long time. Peak power, pulse width, and duty cycle need to meet the requirements. Input high power, require heat dissipation, maintain temperature within 60°C. Reference Curve, derate linearly to 3W at 100°C.



1. Customized connectors, dimensions, directionality, PIM, dB values.

2. Refer to the RFTOP attenuator selection and usage guide.